

**PARTS CATALOG**  
**P-1034-14**  
**FOR YOUR GAS OR ELECTRIC RANGE**



**IMPORTANT INFORMATION**

The model and serial number of your range is stamped on the number plate. This plate is located on the burner box bottom underneath the top burners, or at the base of the front frame.

Always give the full model and serial number of your range in any communication concerning service.

When ordering repair parts always state color, model and serial numbers, along with the quantity, part name, part number, and brand name.

**THIS PART MANUAL COVERS ALL RANGES BUILT  
AFTER FEBRUARY 2014.**

**THERE ARE 4 DIFFERENT OPERATING SYSTEMS:**

**BATTERY IGNITION**

**HOT SURFACE IGNITION**

**THERMOCOUPLE IGNITION**

**ELECTRIC RANGE SYSTEM**

**IF THE MODEL NUMBER STARTS WITH THE LETTER:**

**“B” REFER TO THE BATTERY IGNITION SYSTEM**

**“S” REFER TO THE HOT SURFACE IGNITION SYSTEM**

**“T” REFER TO THE THERMOCOUPLE IGNITION SYSTEM**

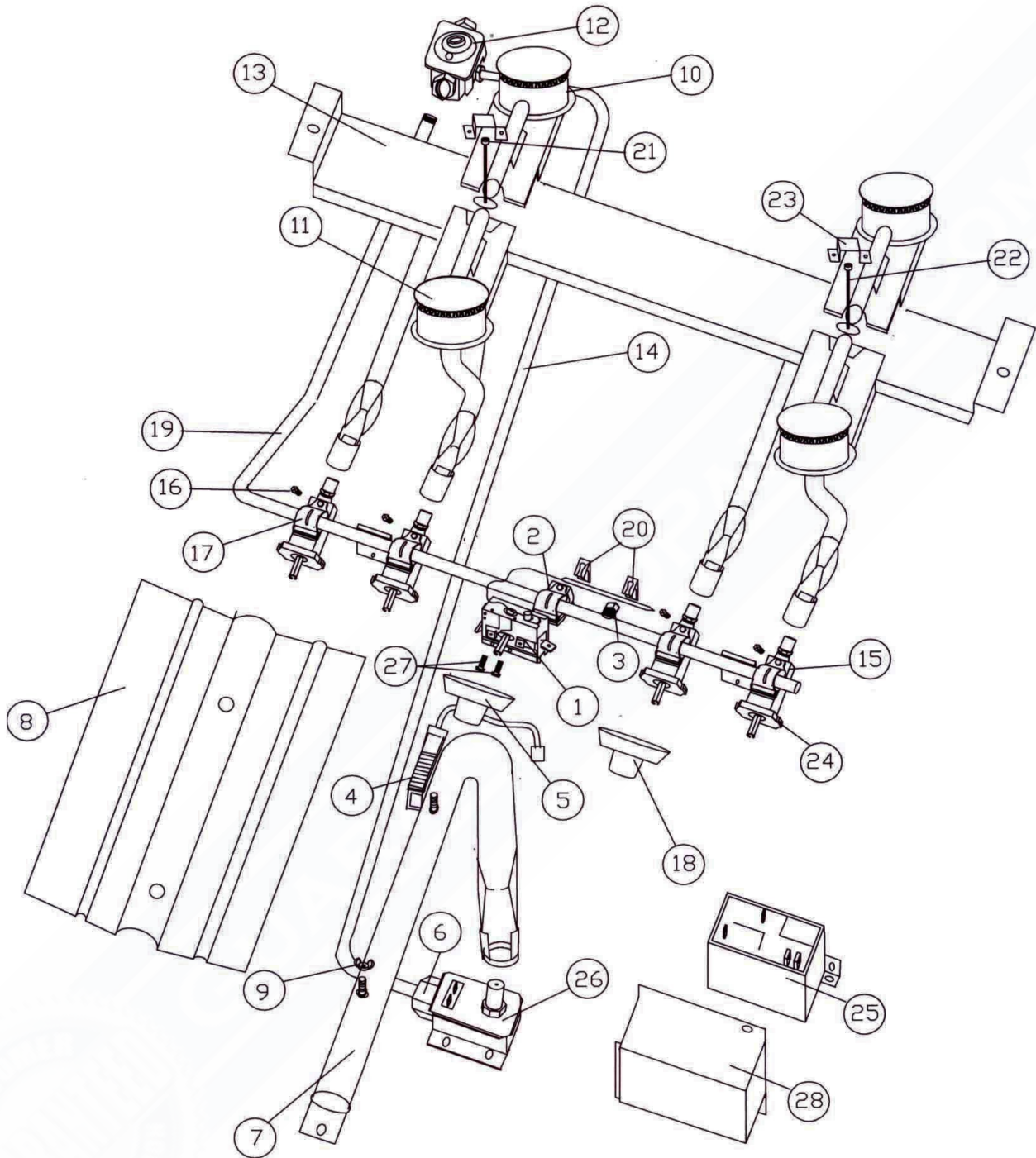
**“E” REFER TO THE ELECTRIC RANGE IGNITION SYSTEM**

## **HOT SURFACE IGNITION OPEN TOP BURNERS & OVEN BURNER**

| <b>Ref. No.</b> | <b>DESCRIPTION</b>  | <b>20 INCH</b> | <b>24 INCH</b> | <b>30 INCH</b> | <b>36 INCH</b> |
|-----------------|---|----------------|----------------|----------------|----------------|
| 1               | OVEN THERMOSTAT   | 1198           | 1198           | 1198           | 1198           |
| 2               | CLAMP-ON PIPE PLUG ASSY.  | 1229           | 1229           | 1229           | 1229           |
| 3               | 1/8" PIPE PLUG  | 1017           | 1017           | 1017           | 1017           |
| 4               | OVEN BURNER IGNITOR   | 1287           | 1287           | 1287           | 1287           |
| 5               | OVEN THERMOSTAT DIAL- BLACK<br>OVEN THERMOSTAT DIAL-WHITE         | 6292B<br>6292W | 6292B<br>6292W | 6292B<br>6292W | 6292B<br>6292W |
| 6               | OVEN VALVE 3/8" LOXIT FITTING                                     | 1067           | 1067           | 1067           | 1067           |
| 7               | OVEN BURNER   | 1365           | 1365           | 1365           | 1365           |
| 8               | OVEN BURNER BAFFLE  | 59035          | 59035          | 59035          | 59035          |
| 9               | OVEN BURNER BAFFLE WINGNUT  | 59036          | 59036          | 59036          | 59036          |
| 10              | REAR TOP BURNER   | 1405           | 1399           | 1399           | 1399           |
| 11              | FRONT TOP BURNER  | 1404           | 1398           | 1398           | 1398           |
| 12              | GAS PRESSURE REGULATOR (MAXITROL)<br>GAS PRESSURE REGULATOR (BSI) | 1977<br>1973   | 1977<br>1973   | 1977<br>1973   | 1977<br>1973   |
| 13              | BURNER HANGER   | 0541           | 0542           | 0543           | 0545           |
| 14              | 3/8" O.D. SUPPLY TUBE   | 1897           | 1897           | 1897           | 1897           |
| 15              | TOP BURNER VALVE NAT. GAS (BSI)                                   | 1226           | 1226           | 1226           | 1226           |
| 16              | TOP BURNER VALVE AND THERMOSTAT SCREW                             | 1228           | 1228           | 1228           | 1228           |
| 17              | TOP BURNER VALVE AND THERMOSTAT CLAMP                             | 1227           | 1227           | 1227           | 1227           |
| 18              | TOP BURNER VALVE KNOB- BLACK<br>TOP BURNER VALVE KNOB- WHITE      | 6290B<br>6290W | 6290B<br>6290W | 6290B<br>6290W | 6290B<br>6290W |
| 19              | MANIFOLD PIPE   | 1761           | 1762           | 1763           | 1764           |
| 20              | CAPILLARY BULB CLIP   | 4770           | 4770           | 4770           | 4770           |
| 21              | TOP BURNER ELECTRODE (LEFT SIDE)                                  | 1486           | 1486           | 1487           | 1487           |
| 22              | TOP BURNER ELECTRODE (RIGHT SIDE)                                 | 1485           | 1485           | 1485           | 1485           |
| 23              | TOP BURNER ELECTRODE GROUND STRAP                                 | 1488           | 1488           | 1488           | 1488           |
| 24              | TOP BURNER VALVE SWITCH**   | 1247           | 1247           | 1247           | 1247           |
| 25              | SPARK MODULE 110V-HARPER 2 +0                                     | 2361           | 2361           | 2361           | 2361           |
| 26              | 3 VOLT VALVE  | 1286           | 1286           | 1286           | 1286           |
| 27              | THERMOSTAT SCREWS   | 59694          | 59694          | 59694          | 59694          |
| 28              | MODULE BOX COVER  | 0979           | 0979           | 0979           | 0979           |

\*\* See Separate Section for Spark Ignition Switch Harnesses

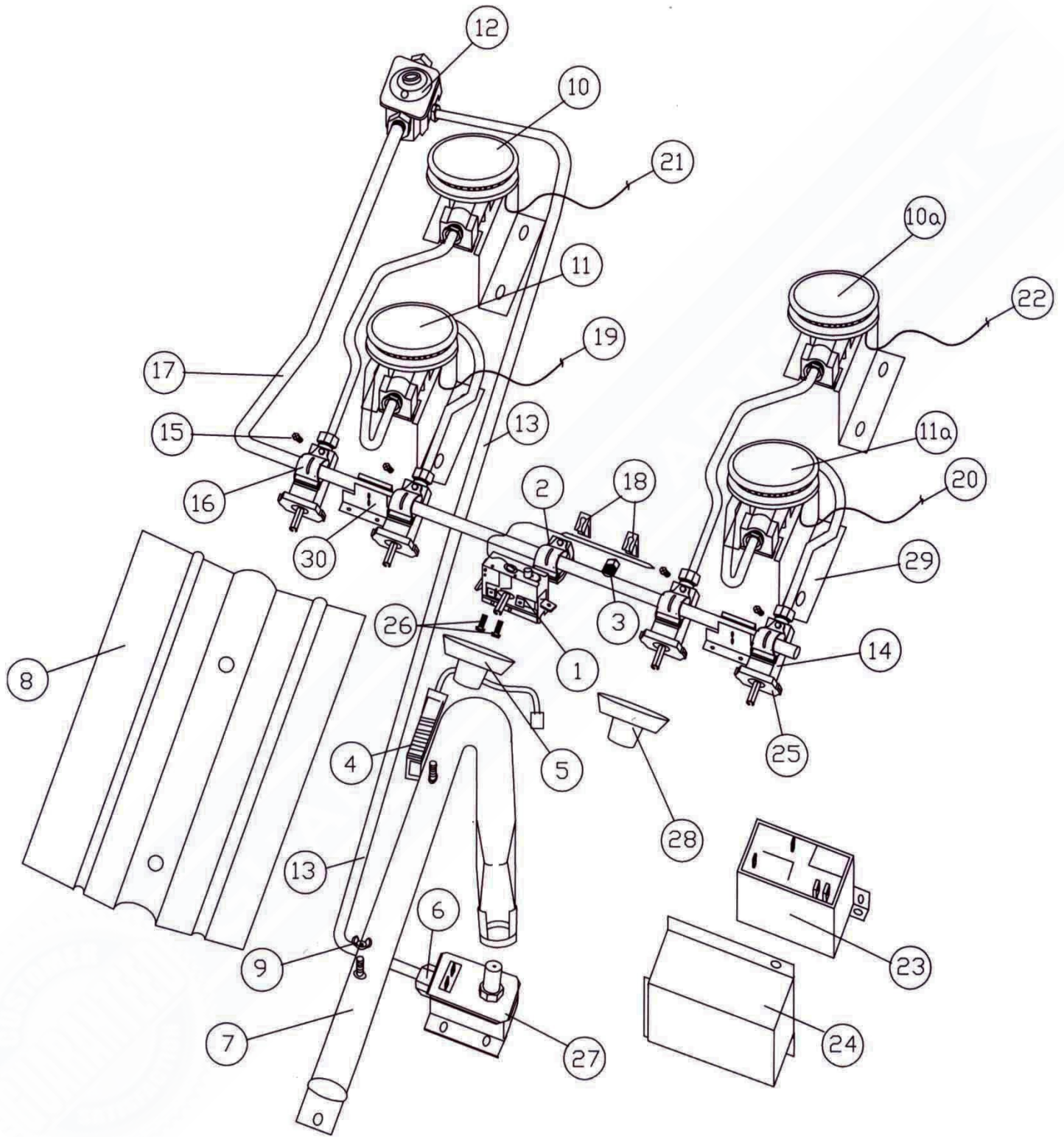
# HOT SURFACE IGNITION OPEN TOP BURNERS & OVEN BURNER



**HOT SURFACE IGNITION SEALED TOP BURNERS & OVEN BURNER**

| <b>Ref. No.</b> | <b>DESCRIPTION</b>                           | <b>20 INCH</b>                          | <b>24 INCH</b> | <b>30 INCH</b> |
|-----------------|--|---|----------------|----------------|
| 1               | OVEN THERMOSTAT                              | 1198                                    | 1198           | 1198           |
| 2               | CLAMP-ON PIPE PLUG ASSY.                     | 1229                                    | 1229           | 1229           |
| 3               | 1/8" PIPE PLUG                               | 1017                                    | 1017           | 1017           |
| 4               | OVEN BURNER IGNITOR                          | 1287                                    | 1287           | 1287           |
| 5               | OVEN THERMOSTAT DIAL (State Color)           | 6292                                    | 6292           | 6292           |
| 6               | OVEN VALVE 3/8" LOXIT FITTING                | 1067                                    | 1067           | 1067           |
| 7               | OVEN BURNER                                  | 1365                                    | 1365           | 1365           |
| 8               | OVEN BURNER BAFFLE                           | 59035                                   | 59035          | 59035          |
| 9               | OVEN BURNER BAFFLE WINGNUT                   | 59036                                   | 59036          | 59036          |
| 10/10a          | REAR TOP BURNER                              | (SEE PAGE 15 FOR COMPONENT PART NUMBER) |                |                |
| 11/11a          | FRONT TOP BURNER                             | (SEE PAGE 15 FOR COMPONENT PART NUMBER) |                |                |
| 12              | REGULATOR (MAXITROL)                         | 1977                                    | 1977           | 1977           |
| 13              | OVEN SUPPLY TUBING 3/8" O.D.                 | 1897                                    | 1897           | 1897           |
| 14              | TOP BURNER VALVE- NAT. GAS-BSI               | 1233                                    | 1233           | 1233           |
| 15              | TOP BURNER VALVE AND THERMOSTAT SCREW        | 1228                                    | 1228           | 1228           |
| 16              | TOP BURNER VALVE AND THERMOSTAT CLAMP        | 1227                                    | 1227           | 1227           |
| 17              | MANIFOLD PIPE                                | 1761                                    | 1762           | 1763           |
| 18              | CAPILLARY BULB CLIP                          | 4770                                    | 4770           | 4770           |
| 19              | TOP BURNER ELECTRODE WIRE (FRONT LEFT SIDE)  | 1531                                    | 1531           | 1532           |
| 20              | TOP BURNER ELECTRODE WIRE (FRONT RIGHT SIDE) | 1530                                    | 1530           | 1531           |
| 21              | TOP BURNER ELECTRODE WIRE (REAR LEFT SIDE)   | 1531                                    | 1531           | 1532           |
| 22              | TOP BURNER ELECTRODE WIRE (REAR RIGHT SIDE)  | 1530                                    | 1530           | 1530           |
| 23              | SPARK MODULE 110V 4+0                        | 2362                                    | 2362           | 2362           |
| 24              | MODULE BOX COVER (OPTIONAL)                  | 0979                                    | 0979           | 0979           |
| 25              | TOP BURNER VALVE SWITCH                      | (See Switch Wire Harnesses Page 33)     |                |                |
| 26              | THERMOSTAT SCREWS                            | 59694                                   | 59694          | 59694          |
| 27              | 3 VOLT VALVE                                 | 1286                                    | 1286           | 1286           |
| 28              | TOP BURNER VALVE KNOB- (State Color)         | 6290                                    | 6290           | 6290           |
| 29              | SEALED BURNER BRACKET                        | 0538                                    | 0539           | 0539           |
| 30              | MANIFOLD PIPE BRACKET                        | 0537                                    | 0537           | 0537           |

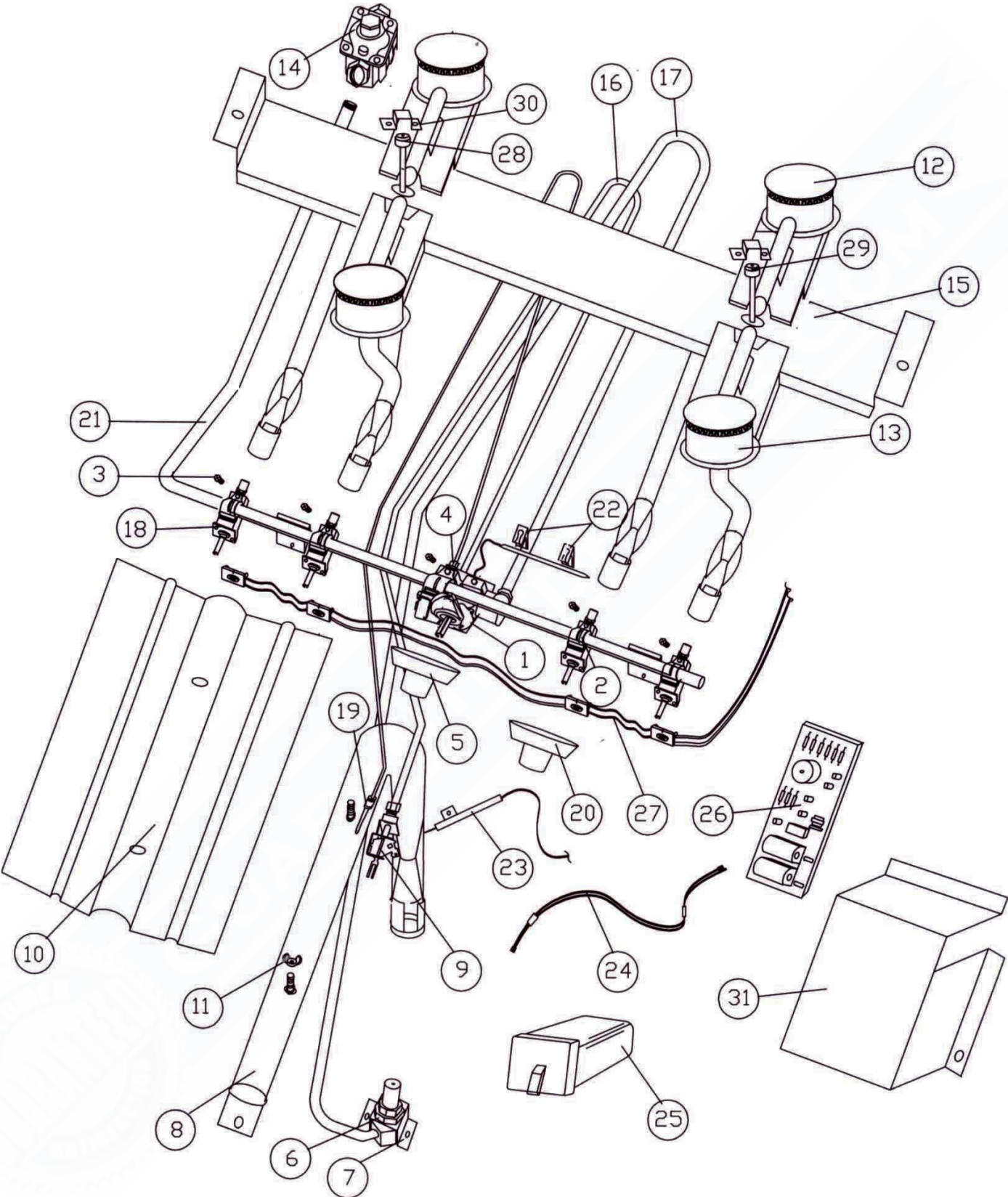
# HOT SURFACE IGNITION SEALED TOP BURNERS & OVEN BURNER



**BATTERY IGNITION OPEN TOP BURNERS & OVEN BURNER**

| <b>Ref.<br/>No.</b> | <b>DESCRIPTION</b>                   | <b>20<br/>INCH</b> | <b>24<br/>INCH</b> | <b>30<br/>INCH</b> | <b>36<br/>INCH</b> |
|---------------------|--------------------------------------|--------------------|--------------------|--------------------|--------------------|
| 1                   | OVEN THERMOSTAT (Natural Gas)        | 1203               | 1203               | 1203               | 1203               |
|                     | OVEN THERMOSTAT (Propane Gas)        | 1204               | 1204               | 1204               | 1204               |
| 2                   | OVEN THERMOSTAT AND VALVE CLAMP      | 1227               | 1227               | 1227               | 1227               |
| 3                   | OVEN THERMOSTAT AND VALVE SCREW      | 1228               | 1228               | 1228               | 1228               |
| 4                   | OVEN THERMOSTAT 3/16" LOXIT FITTING  | 60008              | 60008              | 60008              | 60008              |
| 5                   | OVEN THERMOSTAT DIAL                 | 6291               | 6291               | 6291               | 6291               |
| 6                   | PALNUT                               | 1896               | 1896               | 1896               | 1896               |
| 7                   | ORIFICE BRACKET                      | 0267               | 0267               | 0267               | 0267               |
| 8                   | OVEN BURNER                          | 1366               | 1366               | 1366               | 1366               |
| 9                   | OVEN BURNER PILOT                    | 1293               | 1293               | 1293               | 1293               |
| 10                  | OVEN BURNER BAFFLE                   | 59035              | 59035              | 59035              | 59035              |
| 11                  | OVEN BURNER BAFFLE WINGNUT           | 59036              | 59036              | 59036              | 59036              |
| 12                  | REAR TOP BURNER                      | 1405               | 1399               | 1399               | 1399               |
| 13                  | FRONT TOP BURNER                     | 1404               | 1398               | 1398               | 1398               |
| 14                  | GAS PRESSURE REGULATOR (Natural Gas) | 1976               | 1976               | 1976               | 1976               |
|                     | GAS PRESSURE REGULATOR (Propane Gas) | 1978               | 1978               | 1978               | 1978               |
| 15                  | TOP BURNER HANGER                    | 0541               | 0542               | 0543               | 0545               |
| 16                  | OVEN PILOT TUBING 3/16" O.D.         | 1885               | 1885               | 1885               | 1885               |
| 17                  | OVEN TUBING W/ORIFICE HOLDER (Nat)   | 1895               | 1895               | 1895               | 1895               |
|                     | OVEN TUBING W/ORIFICE HOLDER (LP)    | 1898               | 1898               | 1898               | 1898               |
| 18                  | TOP BURNER VALVE (Natural Gas)       | 1226               | 1226               | 1226               | 1226               |
|                     | TOP BURNER VALVE (RV)                | 1235               | 1235               | 1235               | 1235               |
|                     | TOP BURNER VALVE (Propane/LP Gas)    | 1232               | 1232               | 1232               | 1232               |
| 19                  | THERMOCOUPLE                         | 1289               | 1289               | 1289               | 1289               |
| 20                  | TOP BURNER VALVE KNOB (State Color)  | 6290               | 6290               | 6290               | 6290               |
| 21                  | MANIFOLD PIPE                        | 1761               | 1762               | 1763               | 1764               |
| 22                  | MANIFOLD BULB CLIP                   | 4770               | 4770               | 4770               | 4770               |
| 23                  | OVEN ELECTRODE                       | 1491               | 1491               | 1491               | 1491               |
| 24                  | BATTERY HARNESS                      | 2338               | 2338               | 2338               | 2338               |
| 25                  | BATTERY CASE                         | 2339               | 2339               | 2339               | 2339               |
| 26                  | SPARK MODULE (12Volt-3+0)            | 2340               | 2340               | 2340               | 2340               |
| 27                  | VALVE SWITCH HARNESS                 | 1290               | 1290               | 1291               | 1292               |
| 28                  | TOP BURNER ELECTRODE (L. SIDE)       | 1486               | 1486               | 1487               | 1487               |
| 29                  | TOP BURNER ELECTRODE (R. SIDE)       | 1485               | 1485               | 1485               | 1485               |
| 30                  | TOP BURNER ELECTRODE STRAP           | 1488               | 1488               | 1488               | 1488               |
| 31                  | MODULE BOX COVER                     | 0979               | 0979               | 0979               | 0979               |

**BATTERY IGNITION OPEN TOP BURNERS & OVEN BURNER**

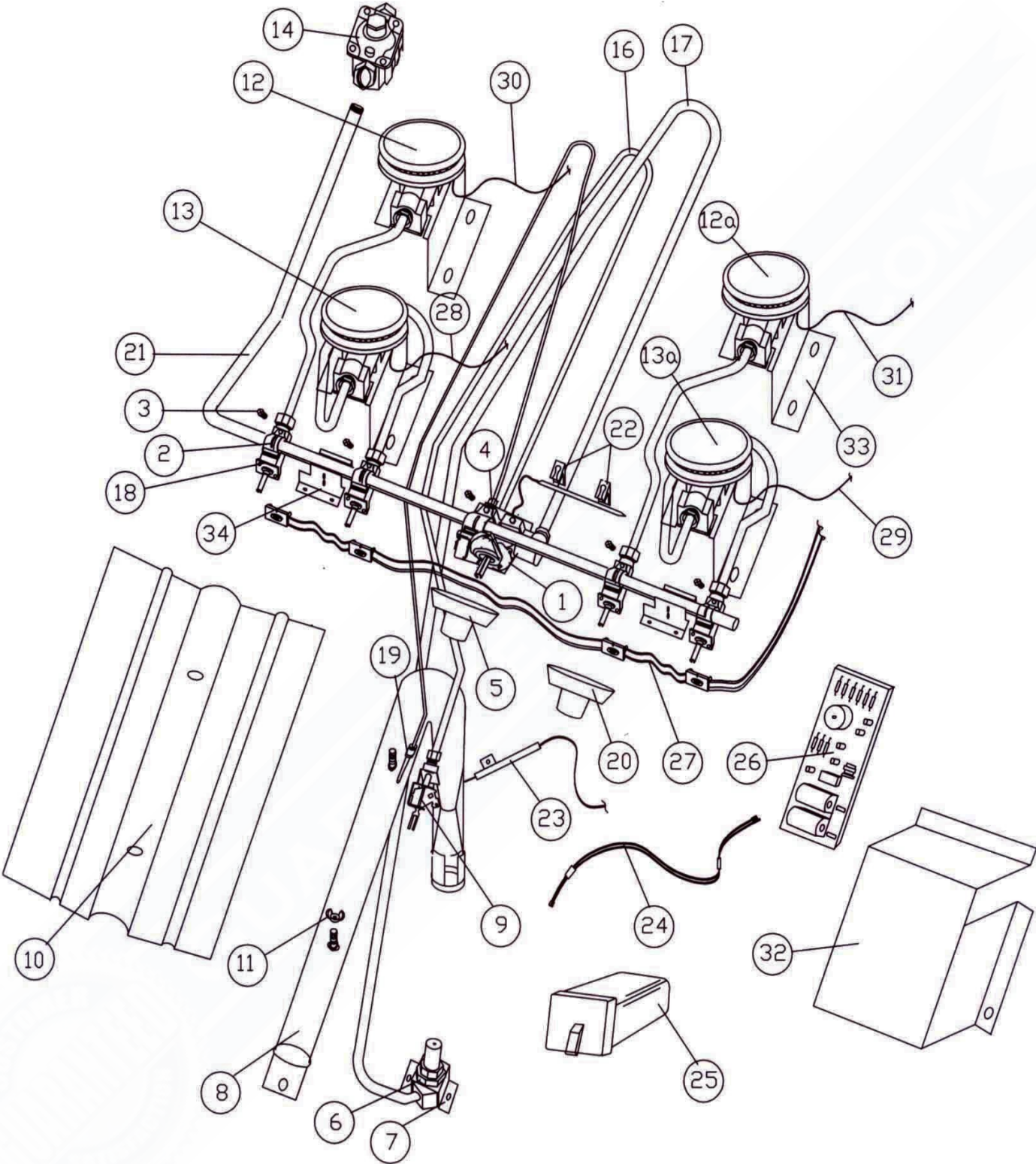




**BATTERY IGNITION SEALED TOP BURNERS & OVEN BURNER**

| <b>Ref.<br/>No.</b> | <b>DESCRIPTION</b>                   | <b>20<br/>INCH</b>                    | <b>24<br/>INCH</b> | <b>30<br/>INCH</b> | <b>36<br/>INCH</b> |
|---------------------|--------------------------------------|---------------------------------------|--------------------|--------------------|--------------------|
| 1                   | OVEN THERMOSTAT (Natural Gas)        | 1203                                  | 1203               | 1203               | 1203               |
|                     | OVEN THERMOSTAT (Propane Gas)        | 1204                                  | 1204               | 1204               | 1204               |
| 2                   | OVEN THERMOSTAT AND VALVE CLAMP      | 1227                                  | 1227               | 1227               | 1227               |
| 3                   | OVEN THERMOSTAT AND VALVE SCREW      | 1228                                  | 1228               | 1228               | 1228               |
| 4                   | OVEN THERMOSTAT 3/16" LOXIT FITTING  | 60008                                 | 60008              | 60008              | 60008              |
| 5                   | OVEN THERMOSTAT DIAL                 | 6291                                  | 6291               | 6291               | 6291               |
| 6                   | PALNUT                               | 1896                                  | 1896               | 1896               | 1896               |
| 7                   | ORIFICE BRACKET                      | 0267                                  | 0267               | 0267               | 0267               |
| 8                   | OVEN BURNER                          | 1366                                  | 1366               | 1366               | 1366               |
| 9                   | OVEN BURNER PILOT                    | 1293                                  | 1293               | 1293               | 1293               |
| 10                  | OVEN BURNER BAFFLE                   | 59035                                 | 59035              | 59035              | 59035              |
| 11                  | OVEN BURNER BAFFLE WINGNUT           | 59036                                 | 59036              | 59036              | 59036              |
| 12/12a              | REAR TOP BURNER                      | (See Page 15 for Component Part Nos.) |                    |                    |                    |
| 13/13a              | FRONT TOP BURNER                     | (See Page 15 for Component Part Nos.) |                    |                    |                    |
| 14                  | GAS PRESSURE REGULATOR (Natural Gas) | 1976                                  | 1976               | 1976               | 1976               |
|                     | GAS PRESSURE REGULATOR(Propane Gas)  | 1978                                  | 1978               | 1978               | 1978               |
| 16                  | OVEN PILOT TUBING 3/16" O.D.         | 1885                                  | 1885               | 1885               | 1885               |
| 17                  | OVEN TUBING W/ORIFICE HOLDER (Nat)   | 1895                                  | 1895               | 1895               | 1895               |
|                     | OVEN TUBING W/ORIFICE HOLDER (LP)    | 1898                                  | 1898               | 1898               | 1898               |
| 18                  | TOP BURNER VALVE (Natural Gas)       | 1226                                  | 1226               | 1226               | 1226               |
|                     | TOP BURNER VALVE (RV)                | 1235                                  | 1235               | 1235               | 1235               |
|                     | TOP BURNER VALVE (Propane/LP Gas)    | 1232                                  | 1232               | 1232               | 1232               |
| 19                  | THERMOCOUPLE                         | 1289                                  | 1289               | 1289               | 1289               |
| 20                  | TOP BURNER VALVE KNOB (State Color)  | 6290                                  | 6290               | 6290               | 6290               |
| 21                  | MANIFOLD PIPE                        | 1761                                  | 1762               | 1763               | 1764               |
| 22                  | MANIFOLD BULB CLIP                   | 4770                                  | 4770               | 4770               | 4770               |
| 23                  | OVEN ELECTRODE                       | 1491                                  | 1491               | 1491               | 1491               |
| 24                  | BATTERY HARNESS                      | 2338                                  | 2338               | 2338               | 2338               |
| 25                  | BATTERY CASE                         | 2339                                  | 2339               | 2339               | 2339               |
| 26                  | SPARK MODULE (12Volt-3+0)            | 2340                                  | 2340               | 2340               | 2340               |
| 27                  | VALVE SWITCH HARNESS                 | 1290                                  | 1290               | 1291               | 1292               |
| 28                  | TOP BURNER ELECTRODE (L. side front) | 1531                                  | 1531               | 1532               | 1533               |
| 29                  | TOP BURNER ELECTRODE (R. side front) | 1530                                  | 1530               | 1531               | 1530               |
| 30                  | TOP BURNER ELECTRODE (L. side rear)  | 1531                                  | 1531               | 1532               | 1533               |
| 31                  | TOP BURNER ELECTRODE (R. side rear)  | 1530                                  | 1530               | 1530               | 1530               |
| 32                  | MODULE BOX COVER                     | 0979                                  | 0979               | 0979               | 0979               |
| 33                  | SEALED BURNER BRACKET                | 0538                                  | 0539               | 0539               | 0539               |
| 34                  | MANIFOLD PIPE BRACKET                | 0537                                  | 0537               | 0537               | 0537               |

**BATTERY IGNITION SEALED TOP BURNERS & OVEN BURNER**

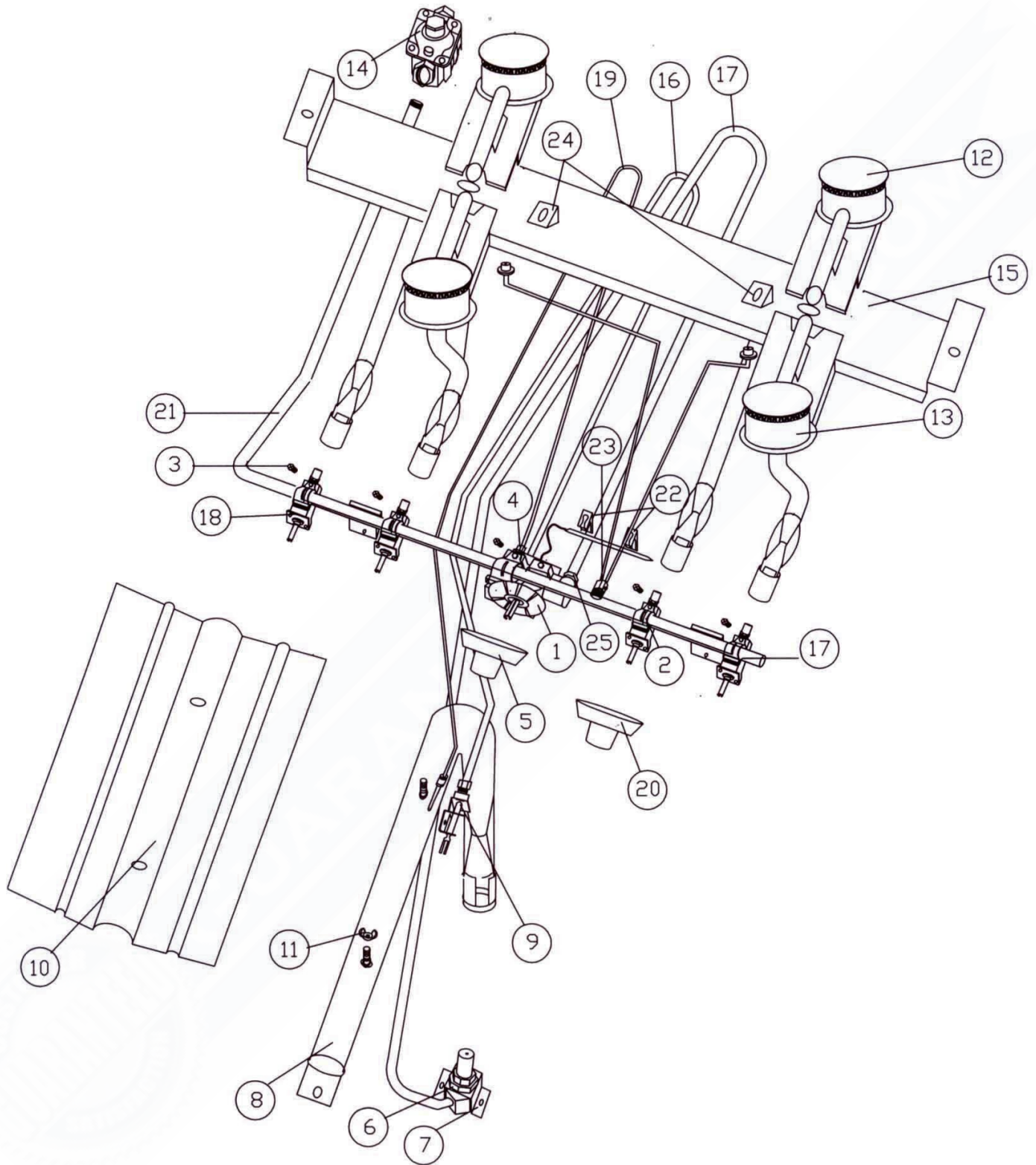


**THERMOCOUPLE IGNITION OPEN TOP BURNERS & OVEN BURNER****Standing Pilot**

| <b>Ref.</b> |                                     | <b>20</b>   | <b>24</b>   | <b>30</b>   | <b>36</b>   |
|-------------|-------------------------------------|-------------|-------------|-------------|-------------|
| <b>No.</b>  | <b>DESCRIPTION</b>                  | <b>INCH</b> | <b>INCH</b> | <b>INCH</b> | <b>INCH</b> |
| 1           | OVEN THERMOSTAT (NATURAL)           | 1199        | 1199        | 1199        | 1199        |
|             | OVEN THERMOSTAT (LP/ PROPANE)       | 1202        | 1202        | 1202        | 1202        |
| 2           | OVEN THERMOSTAT AND VALVE CLAMP     | 1227        | 1227        | 1227        | 1227        |
| 3           | OVEN THERMOSTAT AND VALVE SCREW     | 1228        | 1228        | 1228        | 1228        |
| 4           | OVEN THERMOSTAT 3/16" LOXIT FITTING | 60008       | 60008       | 60008       | 60008       |
| 5           | OVEN THERMOSTAT DIAL- BLACK         | 6291B       | 6291B       | 6291B       | 6291B       |
|             | OVEN THERMOSTAT DIAL-WHITE          | 6291W       | 6291W       | 6291W       | 6291W       |
| 6           | PALNUT                              | 1896        | 1896        | 1896        | 1896        |
| 7           | ORIFICE BRACKET                     | 0267        | 0267        | 0267        | 0267        |
| 8           | OVEN BURNER                         | 1366        | 1366        | 1366        | 1366        |
| 9           | OVEN BURNER PILOT                   | 1288        | 1288        | 1288        | 1288        |
| 10          | OVEN BURNER BAFFLE                  | 59035       | 59035       | 59035       | 59035       |
| 11          | OVEN BURNER BAFFLE WINGNUT          | 59036       | 59036       | 59036       | 59036       |
| 12          | REAR TOP BURNER                     | 1405        | 1399        | 1399        | 1399        |
| 13          | FRONT TOP BURNER                    | 1404        | 1398        | 1398        | 1398        |
| 14          | GAS PRESSURE REGULATOR (MAXITROL)   | 1976        | 1976        | 1976        | 1976        |
|             | GAS PRESSURE REGULATOR (BSI)        | 1974        | 1974        | 1974        | 1974        |
| 15          | TOP BURNER HANGER-BSI               | 0541        | 0542        | 0543        | 0545        |
|             | TOP BURNER HANGER-MUELLER           | 0549        | -----       | -----       | -----       |
| 16          | OVEN PILOT TUBING 3/16" O.D.        | 1885        | 1885        | 1885        | 1885        |
| 17          | OVEN SUPPLY TUBING W/ORIFICE HOLDER | 1895        | 1895        | 1895        | 1895        |
| 18          | TOP BURNER VALVE- NAT. GAS-BSI      | 1226        | 1226        | 1226        | 1226        |
| 19          | THERMOCOUPLE                        | 1289        | 1289        | 1289        | 1289        |
| 20          | TOP BURNER VALVE KNOB- BLACK        | 6290B       | 6290B       | 6290B       | 6290B       |
|             | TOP BURNER VALVE KNOB- WHITE        | 6290W       | 6290W       | 6290W       | 6290W       |
| 21          | MANIFOLD PIPE                       | 1761        | 1762        | 1763        | 1764        |
| 22          | CAPILLARY BULB CLIP                 | 4770        | 4770        | 4770        | 4770        |
| 23          | TOP BURNER 2-TUBE PILOT             | 1505        | 1505        | 1505        | 1506        |
| 24          | TOP BURNER PILOT SHIELD             | 0870        | 0870        | 0870        | 0870        |
| 25          | LOXIT FITTING 3/8                   | 1068        | 1068        | 1068        | 1068        |

\*See separate section for Griddle and 6-Burner models.

**THERMOCOUPLE IGNITION OPEN TOP BURNERS & OVEN BURNER**  
Standing Pilot

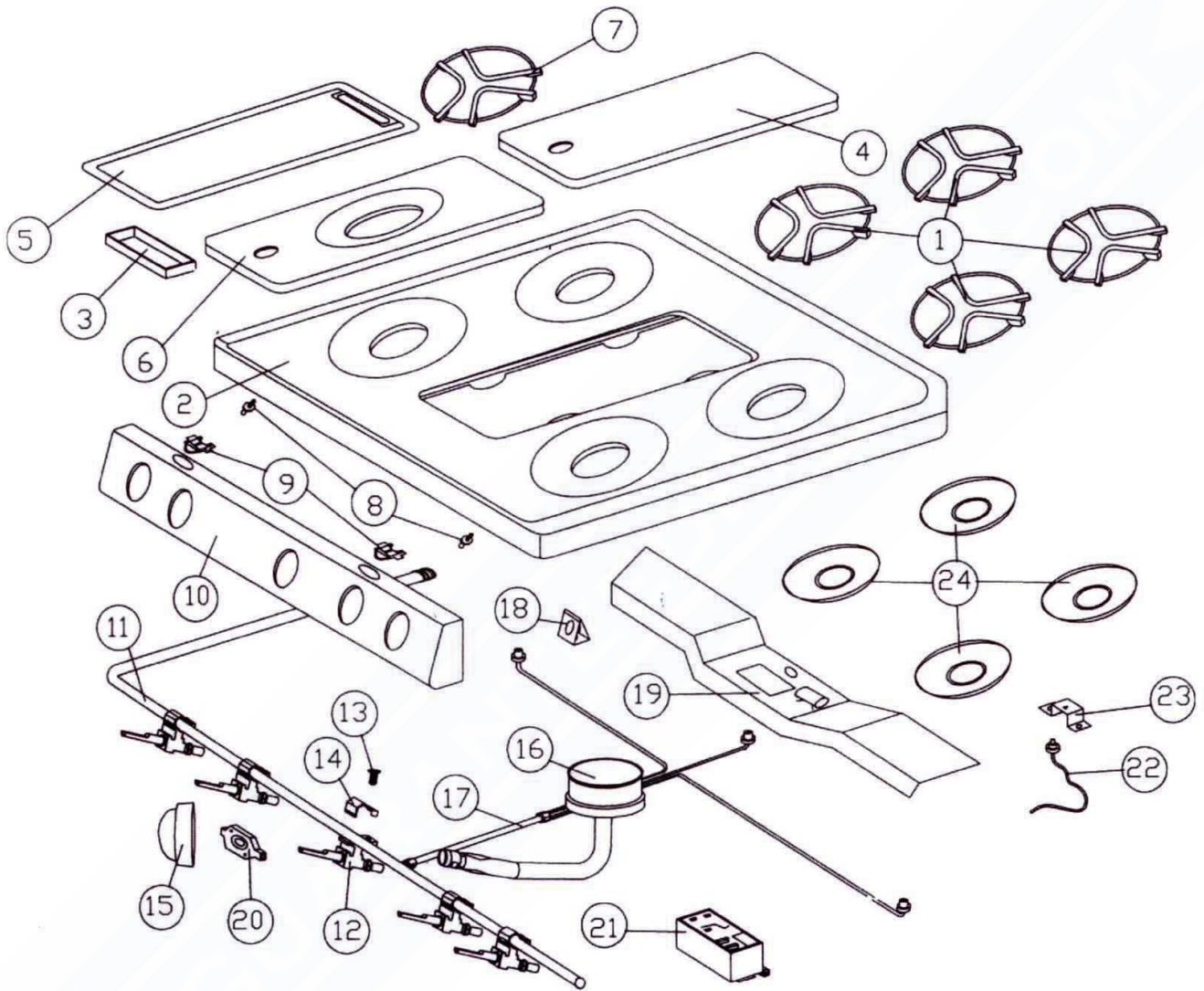


**GRIDDLE AND FIFTH BURNER for 30 & 36 INCH GAS RANGE  
STANDING PILOT & HOT SURFACE IGNITION**

| <b>Ref.<br/>No.</b> | <b>DESCRIPTION</b>                              | <b>36<br/>INCH</b> | <b>30<br/>INCH</b> |
|---------------------|---|--------------------|--------------------|
| 1                   | TOP GRID  | 7080               | 59726              |
| 2                   | MAIN TOP (State Color)                          | 5289               | 5293               |
| 3                   | GREASE CUP                                      | 59649              | 59649              |
| 4                   | STAINLESS GRIDDLE COVER                         | 0900               | 57688              |
| 5                   | GRIDDLE   | 7371               | 57687              |
| 6                   | FIFTH BURNER BOWL (State Color)                 | 7773               | 59386              |
| 7                   | FIFTH BURNER GRID                               | 59726              | 59726              |
| 8                   | MAIN TOP STRIKE PIN                             | 4871               | 4871               |
| 9                   | MAIN TOP STRIKE CATCH                           | 4973               | 4973               |
| 10                  | MANIFOLD COVER- NO SWITCH OPENING (State Color) | 5154               | 5153               |
|                     | MANIFOLD COVER- SWITCH OPENING (State Color)    | 5162               | 5160               |
|                     | MANIFOLD COVER DECAL                            | 4990               | 4988               |
| 11                  | MANIFOLD PIPE                                   | 1766               | 1765               |
| 12                  | TOP BURNER VALVES- SET FOR NAT. GAS             | 1226               | 1226               |
| 13                  | TOP BURNER VALVE SCREW                          | 1228               | 1228               |
| 14                  | TOP BURNER VALVE CLAMP                          | 1227               | 1227               |
| 15                  | TOP BURNER VALVE KNOB- BLACK                    | 6290B              | 6290B              |
| 16                  | FIFTH BURNER                                    | 1403               | 1400               |
| 17                  | FIFTH BURNER 3-TUBE PILOT (PILOT IGNITION)      | 1507               | 1507               |
| 18                  | FIFTH BURNER PILOT SHIELD (PILOT IGNITION)      | 0870               | 0870               |
| 19                  | TOP BURNER HANGER                               | 0546               | 0544               |
| 20                  | TOP BURNER VALVE SWITCH*                        | 1248               | 1248               |
| 21                  | SPARK MODULE- 110VOLT                           |                    |                    |
|                     | BATTERY MODELS                                  | 2362               | 2362               |
|                     | HOT SURFACE IGNITION                            | 2343               | 2343               |
| 22                  | FIFTH BURNER ELECTRODE                          | 1486               | 1486               |
| 23                  | FIFTH BURNER ELECTRODE GROUND STRAP             | 1488               | 1488               |
| 24                  | CHROME BURNER BOWLS                             | 7082               | 57965              |

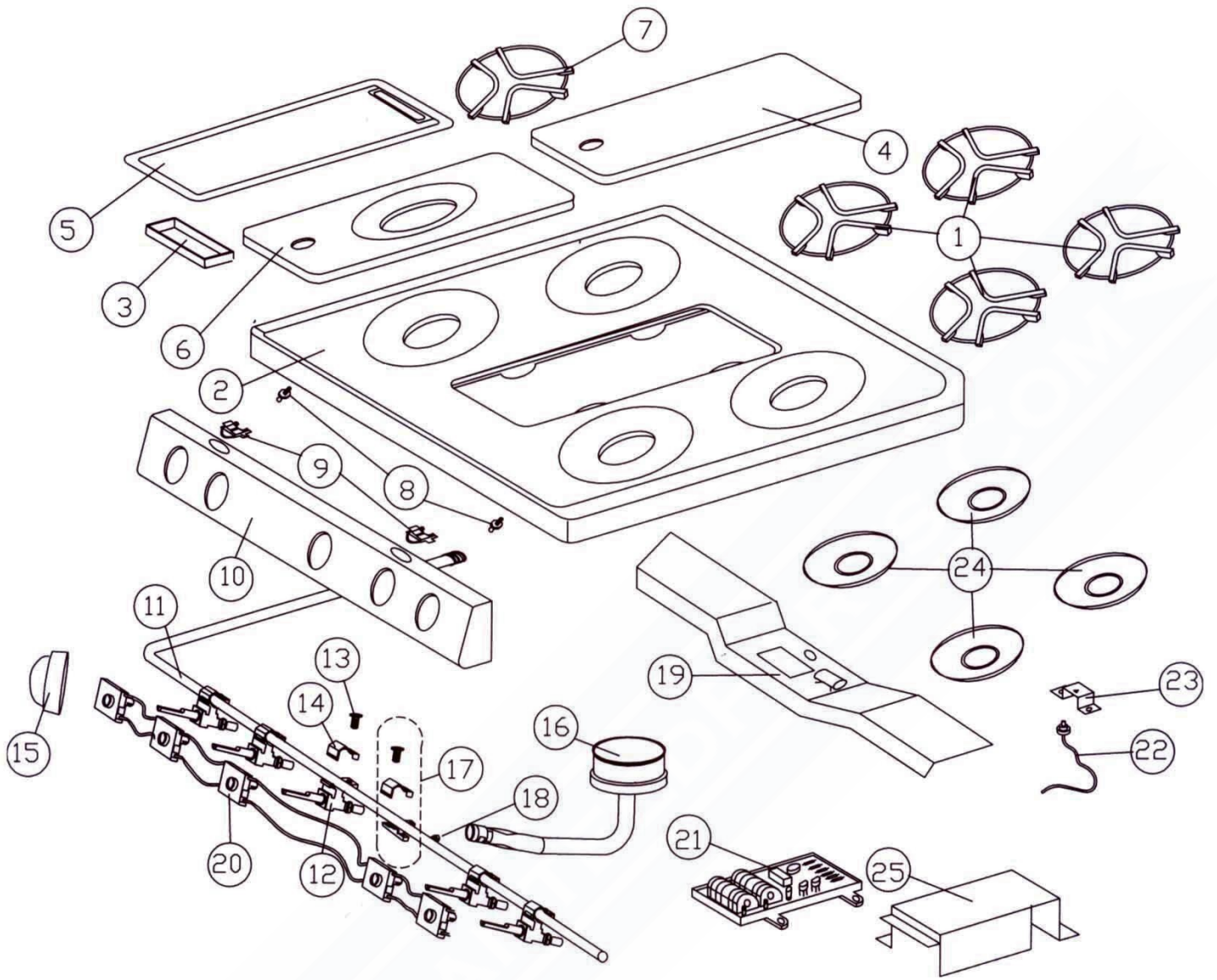
\*See Separate Section for Switch Wire Harness Part Numbers

**GRIDDLE AND FIFTH BURNER for 30 & 36 INCH GAS RANGE  
STANDING PILOT & HOT SURFACE IGNITION**



**GRIDDLE AND FIFTH BURNER for 30 & 36 INCH GAS RANGE****Battery Ignition System**

| <b>Ref.<br/>No.</b> | <b>DESCRIPTION</b>                              | <b>36<br/>INCH</b> | <b>30<br/>INCH</b> |
|---------------------|---|--------------------|--------------------|
| 1                   | TOP GRID  | 7080               | 59726              |
| 2                   | MAIN TOP (State Color)                          | 5289               | 5293               |
| 3                   | GREASE CUP                                      | 59649              | 59649              |
| 4                   | STAINLESS GRIDDLE COVER                         | 0900               | 57688              |
| 5                   | GRIDDLE   | 7371               | 57687              |
| 6                   | FIFTH BURNER BOWL (State Color)                 | 7773               | 59386              |
| 7                   | FIFTH BURNER GRID                               | 59726              | 59726              |
| 8                   | MAIN TOP STRIKE PIN                             | 4871               | 4871               |
| 9                   | MAIN TOP STRIKE CATCH                           | 4973               | 4973               |
| 10                  | MANIFOLD COVER- NO SWITCH OPENING (State Color) | 5154               | 5153               |
|                     | MANIFOLD COVER- SWITCH OPENING (State Color)    | 5162               | 5160               |
|                     | MANIFOLD COVER DECAL                            | 4990               | 4988               |
| 11                  | MANIFOLD PIPE                                   | 1766               | 1765               |
| 12                  | TOP BURNER VALVES- SET FOR NAT. GAS             | 1226               | 1226               |
|                     | TOP BURNER VALVES- SET FOR LP GAS               | 1232               | 1232               |
| 13                  | TOP BURNER VALVE AND THERMOSTAT SCREW           | 1228               | 1228               |
| 14                  | TOP BURNER VALVE AND THERMOSTAT CLAMP           | 1227               | 1227               |
| 15                  | TOP BURNER VALVE KNOB- BLACK                    | 6290B              | 6290B              |
| 16                  | FIFTH BURNER                                    | 1403               | 1400               |
| 17                  | CLAMP-ON PIPE PLUG ASSY.                        | 1229               | 1229               |
| 18                  | PIPE PLUG                                       | 1017               | 1017               |
| 19                  | TOP BURNER HANGER                               | 0546               | 0544               |
| 20                  | TOP BURNER VALVE SWITCH HARNESS                 | 1248               | 1248               |
| 21                  | SPARK MODULE- 110VOLT                           |                    |                    |
|                     | BATTERY MODELS                                  | 2362               | 2362               |
|                     | HOT SURFACE IGNITION                            | 2343               | 2343               |
| 22                  | FIFTH BURNER ELECTRODE                          | 1486               | 1486               |
| 23                  | FIFTH BURNER ELECTRODE GROUND STRAP             | 1488               | 1488               |
| 24                  | CHROME BURNER BOWLS                             | 7082               | 57965              |
| 25                  | MODULE BOX COVER                                | 0979               | 0979               |



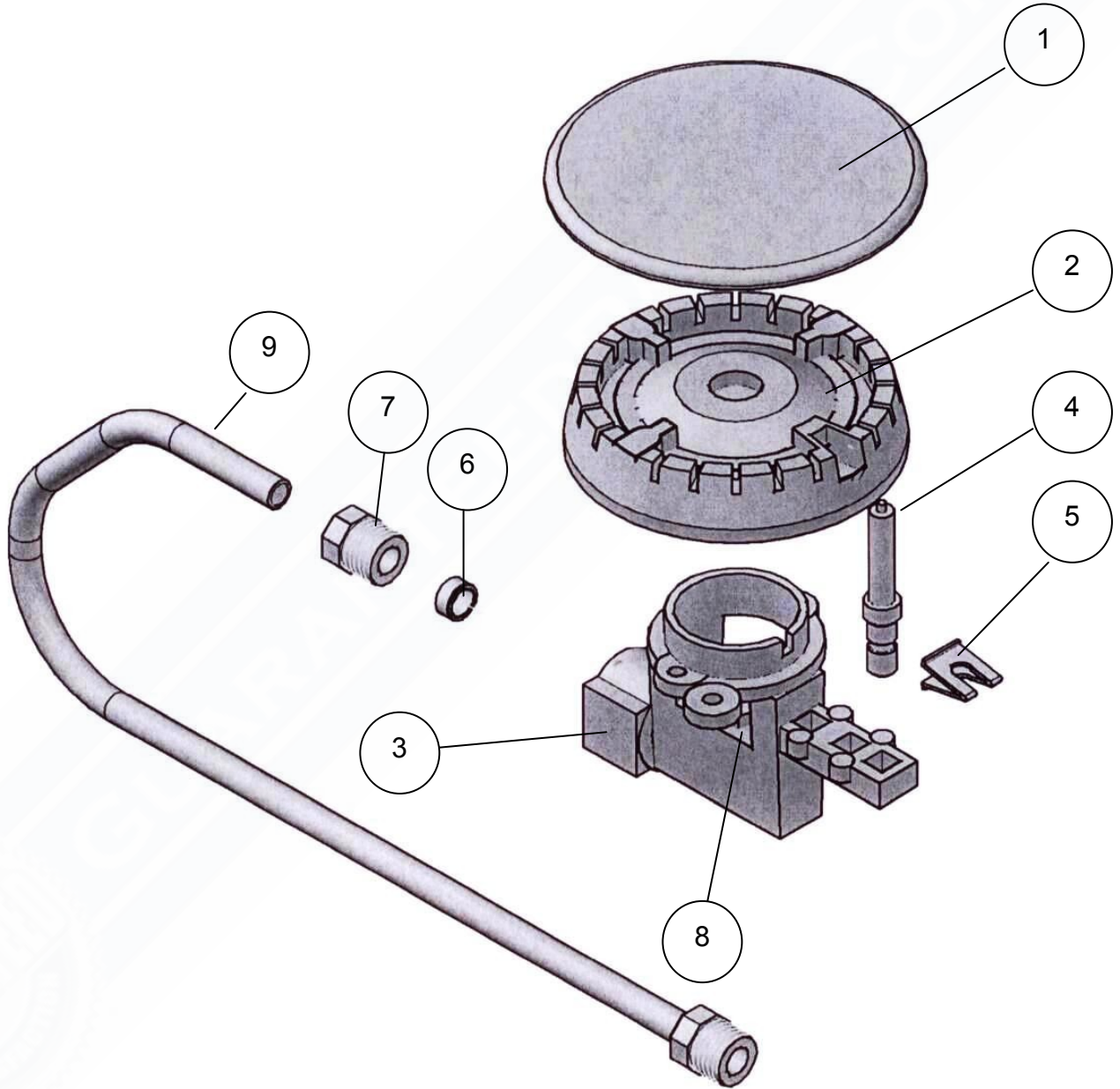


## SEALED BURNER COMPONENT BREAKDOWN

| Ref.<br>No. | DESCRIPTION<br>INCH                        | 20    | 24<br>INCH | 30<br>INCH | 36<br>INCH |
|-------------|--|-------|------------|------------|------------|
| 1           | BURNER CAP (L. FRONT)                      | 1525  | 1524       | 1524       | 1524       |
|             | BURNER CAP (R. FRONT)                      | 1525  | 1525       | 1525       | 1526       |
|             | BURNER CAP (L. REAR)                       | 1525  | 1526       | 1526       | 1526       |
|             | BURNER CAP (R. REAR)                       | 1525  | 1525       | 1525       | 1525       |
|             | BURNER CAP (C. FRONT)                      | ----- | -----      | -----      | 1525       |
|             | BURNER CAP (C. REAR)                       | ----- | -----      | -----      | 1525       |
| 2           | FLAME SPREADER (L. FRONT)                  | 1522  | 1521       | 1521       | 1521       |
|             | FLAME SPREADER (R. FRONT)                  | 1522  | 1522       | 1522       | 1523       |
|             | FLAME SPREADER (L. REAR)                   | 1522  | 1523       | 1523       | 1523       |
|             | FLAME SPREADER (R. REAR)                   | 1522  | 1522       | 1522       | 1522       |
|             | FLAME SPREADER (C. FRONT)                  | ----- | -----      | -----      | 1522       |
|             | FLAME SPREADER ((C. REAR)                  | ----- | -----      | -----      | 1522       |
| 3           | ORIFICE HOLDER ( L. FRONT)                 | 1518  | 1517       | 1517       | 1517       |
|             | ORIFICE HOLDER (R. FRONT)                  | 1518  | 1518       | 1518       | 1519       |
|             | ORIFICE HOLDER (L. REAR)                   | 1518  | 1520       | 1520       | 1520       |
|             | ORIFICE HOLDER (R. REAR)                   | 1518  | 1518       | 1518       | 1518       |
|             | ORIFICE HOLDER (C. FRONT)                  | ----- | -----      | -----      | 1518       |
|             | ORIFICE HOLDER (C. REAR)                   | ----- | -----      | -----      | 1518       |
| 4           | BURNER ELECTRODE (L. FRONT)                | 1531  | 1531       | 1532       | 1533       |
|             | BURNER ELECTRODE (R. FRONT))               | 1530  | 1530       | 1531       | 1530       |
|             | BURNER ELECTRODE (L. REAR)                 | 1531  | 1531       | 1532       | 1533       |
|             | BURNER ELECTRODE (R. REAR)                 | 1530  | 1530       | 1530       | 1530       |
|             | BURNER ELECTRODE (C. FRONT)                | ----- | -----      | -----      | 1532       |
|             | BURNER ELECTRODE (C. REAR)                 | ----- | -----      | -----      | 1532       |
| 5           | ELECTRODE SPRING CLIP                      | 1527  | 1527       | 1527       | 1527       |
| 6           | FERREL NUT                                 | 1528  | 1528       | 1528       | 1528       |
| 7           | TUBING NUT                                 | 1529  | 1529       | 1529       | 1529       |
| 8           | BURNER ORIFICE (L. FRONT) (NATURAL)        | 1543  | 1542       | 1542       | 1542       |
|             | BURNER ORIFICE (L. FRONT) (PROPANE/LP)     | 1535  | 1535       | 1535       | 1535       |
|             | BURNER ORIFICE (R. FRONT) NATURAL          | 1543  | 1543       | 1543       | 1544       |
|             | BURNER ORIFICE (R. FRONT) (PROPANE/LP)     | 1535  | 1535       | 1535       | 1536       |
|             | BURNER ORIFICE (L. REAR) (NATURAL)         | 1543  | 1545       | 1545       | 1545       |
|             | BURNER ORIFICE (L. REAR) (PROPANE/LP)      | 1535  | 1537       | 1537       | 1537       |
|             | BURNER ORIFICE (R. REAR) (NATURAL)         | 1543  | 1543       | 1543       | 1543       |
|             | BURNER ORIFICE (R. REAR) (PROPANE/LP)      | 1535  | 1535       | 1535       | 1535       |
|             | BURNER ORIFICE (C. FRONT) (NATURAL)        | ----- | -----      | -----      | 1543       |
|             | BURNER ORIFICE (C. FRONT) (PROPANE/LP)     | ----- | -----      | -----      | 1535       |
|             | BURNER ORIFICE (C. REAR) (NATURAL)         | ----- | -----      | -----      | 1543       |
|             | BURNER ORIFICE (C. REAR) (PROPANE/LP)      | ----- | -----      | -----      | 1535       |
| 9           | BURNER TUBING (State front or rear burner) | 1887  | 1887       | 1887       | 1887       |

## SEALED BURNER COMPONENT BREAKDOWN

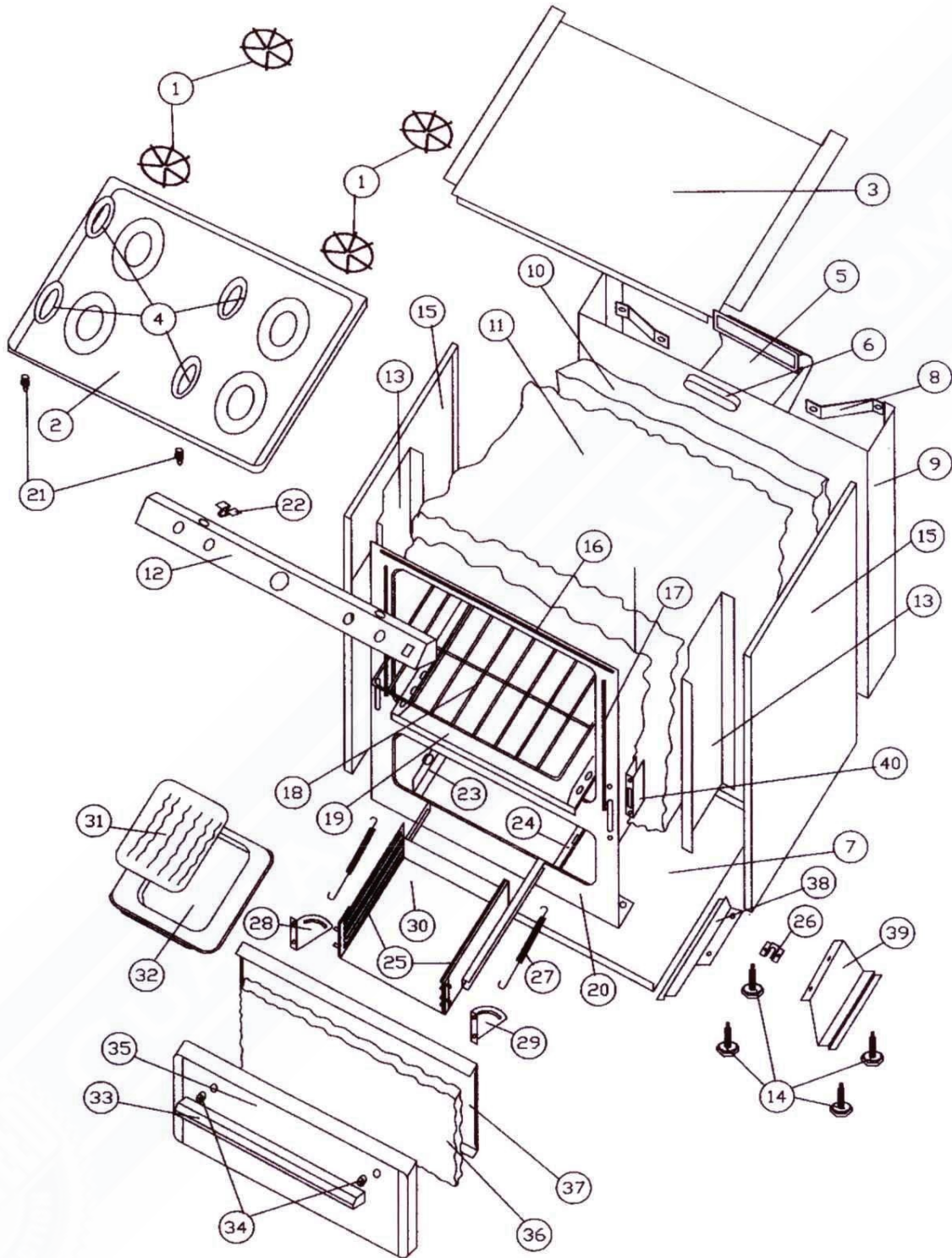
|                            |       |       |       |      |
|----------------------------|-------|-------|-------|------|
| COMPLETE BURNER (L. FRONT) | 1539  | 1538  | 1538  | 1538 |
| COMPLETE BURNER (R. FRONT) | 1539  | 1539  | 1539  | 1540 |
| COMPLETE BURNER (L. REAR)  | 1539  | 1541  | 1541  | 1541 |
| COMPLETE BURNER (R. REAR)  | 1539  | 1539  | 1539  | 1539 |
| COMPLETE BURNER (C. FRONT) | ----- | ----- | ----- | 1539 |
| COMPLETE BURNER (C. REAR)  | ----- | ----- | ----- | 1539 |



## MAIN BODY FOR 20, 24, & 30 INCH GAS RANGES

| Ref.<br>No. |   | 20<br>INCH | 24<br>INCH | 30<br>INCH |
|-------------|---|------------|------------|------------|
| 1           | TOP GRATE                                       | 7080       | 7080       | 7080       |
|             | CAST IRON GRATE                                 | 7086       | 7086       | 7086       |
| 2           | MAIN TOP (State Color)                          | 5275       | 5292       | 5291       |
| 3           | BURNER BOX BOTTOM                               | 0180       | 0182       | 0184       |
| 4           | CHROME BURNER BOWLS                             | 7082       | 7082       | 7082       |
| 5           | FLUE BOX  | 0668       | 0667       | 0667       |
| 6           | FLUE BOX RING                                   | 0868       | 0868       | 0868       |
| 7           | MAIN BOTTOM                                     | 0256       | 0257       | 0258       |
| 8           | BACK BRACE                                      | 0520       | 0517       | 0517       |
| 9           | MAIN BACK                                       | 0306       | 0313       | 0314       |
| 10          | OVEN BACK INSULATION                            | 8970       | 8972       | 8971       |
| 11          | OVEN WRAP INSULATION                            | 8870       | 8870       | 8871       |
| 12          | MANIFOLD COVER- NO SWITCH OPENING (State Color) | 5149       | 5150       | 5151       |
|             | MANIFOLD COVER- SWITCH OPENING (State Color)    | 5156       | 5157       | 5158       |
|             | MANIFOLD COVER DECAL (State Color)              | 4984       | 4985       | 4986       |
| 13          | INNER SIDE BAFFLE                               | 0698       | 0698       | 0698       |
| 14          | LEG LEVELER                                     | 4560       | 4560       | 4560       |
| 15          | MAIN SIDE (State Color) Painted                 | 5476       | 5486       | 5486       |
|             | MAIN SIDE (State Color) Enameled                | 5488       | 5490       | 5490       |
| 16          | TOP OVEN DOOR GASKET                            | 7870       | 7874       | 7872       |
| 17          | SIDE OVEN DOOR GASKET                           | 7875       | 7875       | 7870       |
| 18          | OVEN RACK                                       | 7470       | 7472       | 7471       |
| 19          | OVEN BOTTOM                                     | 5699       | 5701       | 5733       |
|             | OVEN BOTTOM SUPPORT SCREW                       | -----      | 60109      | 60109      |
| 20          | OVEN FRONT FRAME                                | 5767       | 5768       | 5769       |
| 21          | MAIN TOP STRIKE PIN                             | 4871       | 4871       | 4871       |
| 22          | MAIN TOP STRIKE PIN CATCH                       | 4973       | 4973       | 4973       |
| 23          | LEFT BROILER RUNNER WITH BEARINGS               | 0570       | 0570       | 0570       |
| 24          | RIGHT BROILER RUNNER WITH BEARINGS              | 0571       | 0571       | 0571       |
| 25          | BROILER PAN GLIDES                              | 5972       | 5972       | 5972       |
| 26          | ANTI-TIP BRACKET                                | 0551       | 0551       | 0551       |
| 27          | BROILER DOOR SPRINGS                            | 8070       | 8070       | 8070       |
| 28          | LEFT BROILER HINGE                              | 8170       | 8170       | 8170       |
| 29          | RIGHT BROILER HINGE                             | 8171       | 8171       | 8171       |
| 30          | BROILER BODY                                    | 5971       | 5970       | 5970       |
| 31          | BROILER GRILL                                   | 7370       | 7370       | 7370       |
| 32          | BROILER PAN                                     | 7271       | 7270       | 7270       |
| 33          | DOOR HANDLE                                     | 6576       | 6576       | 6578       |
| 34          | DOOR HANDLE SPACER (White)                      | 4681       | 4681       | 4681       |
|             | DOOR HANDLE SPACER (Black)                      | 4680       | 4680       | 4680       |
| 35          | BROILER DOOR PANEL (State Color)                | 5396       | 5397       | 5405       |
| 36          | BROILER DOOR INSULATION                         | 8810       | 8812       | 8811       |
| 37          | BROILER DOOR LINING                             | 5553       | 5554       | 5565       |
| 38          | LEFT REAR SIDE SUPPORT                          | 0535       | 0535       | 0535       |
| 39          | RIGHT REAR SIDE SUPPORT                         | 0536       | 0536       | 0536       |
| 40          | HINGE RECEIVER                                  | -----      | 8203       | 8203       |

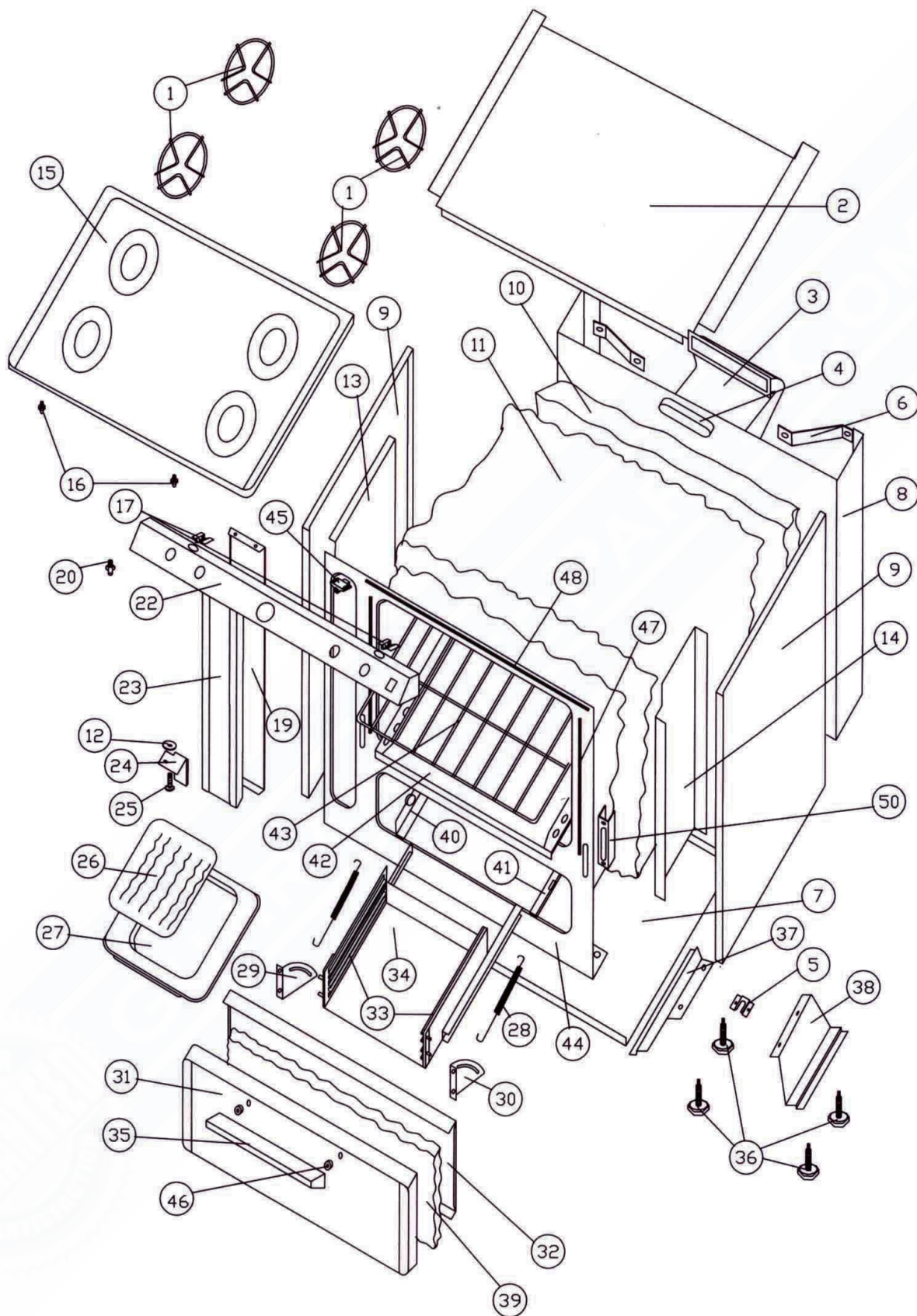
**MAIN BODY FOR 20, 24, & 30 INCH GAS RANGES**



## MAIN BODY FOR 36 INCH GAS RANGE

| Ref. No. | DESCRIPTION                      | Part No. | Ref. No. | DESCRIPTION                   | Part No. |
|----------|----------------------------------|----------|----------|-------------------------------|----------|
| 1        | TOP GRATE                        | 7080     | 26       | BROILER GRILL                 | 7370     |
|          | CAST IRON GRATE                  | 7086     | 27       | BROILER PAN                   | 7270     |
| 2        | BURNER BOX BOTTOM                | 0186     | 28       | BROILER DOOR SPRING           | 8070     |
| 3        | FLUE BOX                         | 0667     | 29       | LEFT BROILER HINGE            | 8170     |
| 4        | FLUE BOX RING                    | 0868     | 30       | RIGHT BROILER HINGE           | 8171     |
| 5        | ANTI-TIP BRACKET                 | 0551     | 31       | BR. DR. PANEL (STATE COLOR)   | 5405     |
| 6        | BACK BRACE                       | 0517     | 32       | BROILER DOOR LINING           | 5565     |
| 7        | MAIN BOTTOM                      | 0259     | 33       | BROILER PAN GLIDE             | 5972     |
| 8        | MAIN BACK                        | 0315     | 34       | BROILER BODY                  | 5970     |
| 9        | MAIN SIDE (State Color) Painted  | 5486     | 35       | BROILER DOOR HANDLE           | 6576     |
|          | MAIN SIDE (State Color) Enameled | 5490     | 36       | LEG LEVELER                   | 4560     |
| 10       | OVEN BACK INSULATION             | 8971     | 37       | LEFT REAR SIDE SUPPORT        | 0535     |
| 11       | OVEN WRAP INSULATION             | 8871     |          |                               |          |
| 12       | COMPARTMENT DR HINGE SPACER      | 0770     | 38       | RIGHT REAR SIDE SUPPORT       | 0536     |
| 13       | COMPARTMENT LINER                | 5478     | 39       | BROILER DOOR INSULATION       | 8811     |
| 14       | INNER SIDE BAFFLE                | 0698     | 40       | LEFT BROILER RUNNER W/BEARING | 0570     |
| 15       | MAIN TOP (STATE COLOR)           | 5288     | 41       | RT. BROILER RUNNER W/BEARING  | 0571     |
| 16       | MAIN TOP STRIKE PIN              | 4871     | 42       | OVEN BOTTOM                   | 5733     |
| 17       | MAIN TOP STRIKE PIN CATCH        | 4973     |          | OVEN BOTTOM SUPPORT SCREW     | 60109    |
| 19       | COMPARTMENT DOOR LINING          | 5539     | 43       | OVEN RACK                     | 7471     |
| 20       | COMP. DR. UPPER HINGE PIN        | 4872     | 44       | OVEN FRONT FRAME              | 5756     |
| 22       | MANIFOLD COVER (NO SWITCH)       | 5035     | 45       | MAGNETIC DOOR CATCH           | 4969     |
|          | MANIFOLD COVER (SWITCH)          | 5142     | 46       | DOOR HANDLE SPACER (White)    | 4681     |
|          | MANIFOLD COVER DECAL             | 4995     |          | DOOR HANDLE SPACER (Black)    | 4680     |
| 23       | COMPARTMENT DOOR PANEL           | 5378     | 47       | SIDE OVEN DOOR GASKETS        | 7870     |
| 24       | COMP. DR. HINGE BRACKET          | 0483     | 48       | TOP OVEN DOOR GASKET          | 7872     |
| 25       | COMP. DR. LOWER HINGE PIN        | 4873     | 50       | HINGE RECEIVER                | 8203     |

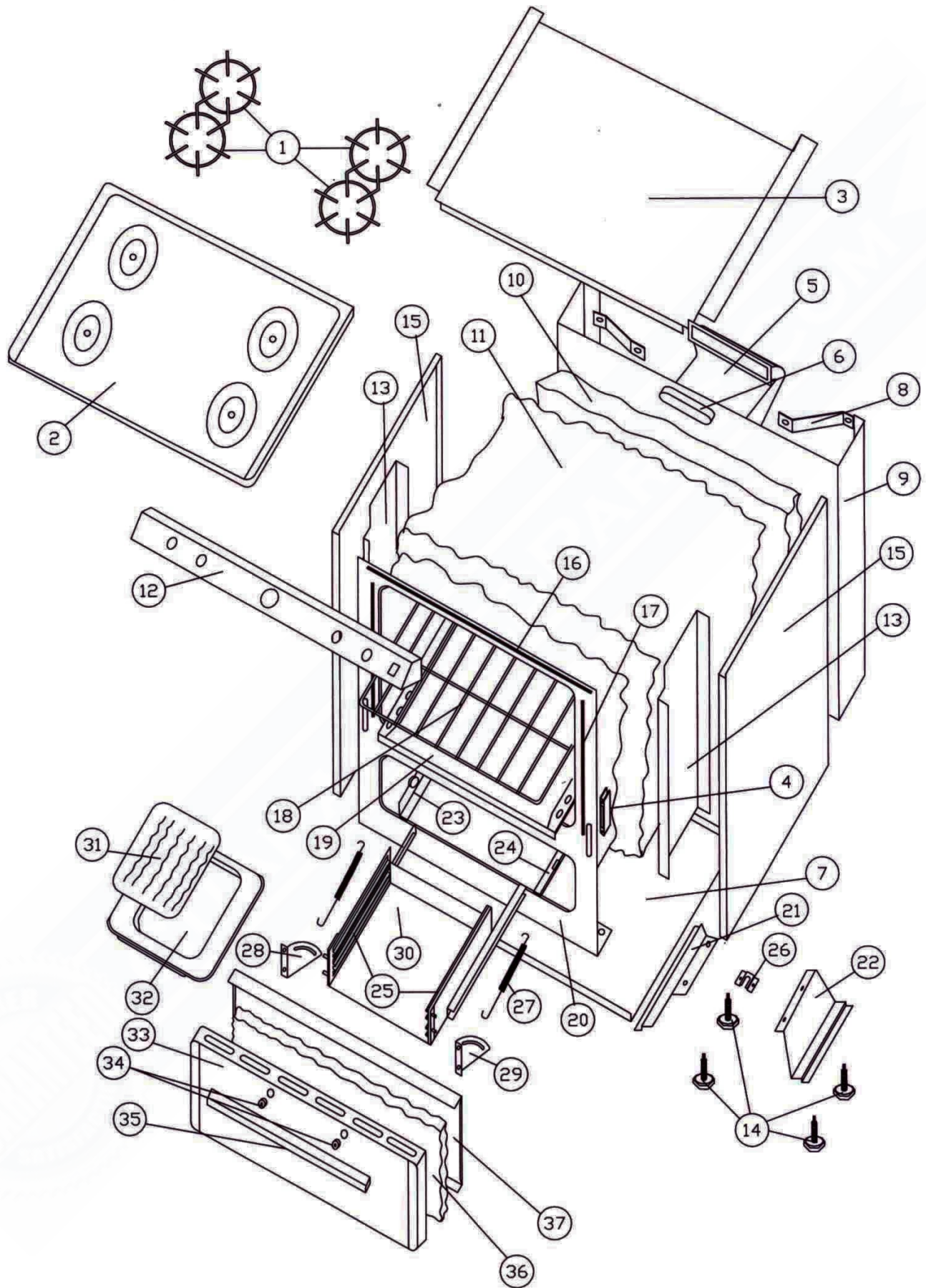
# MAIN BODY FOR 36 INCH GAS RANGE



## MAIN BODY FOR SEALED BURNER GAS RANGE

| Ref.<br>No. |  | 20<br>INCH | 24<br>INCH | 30<br>INCH |
|-------------|--|------------|------------|------------|
| 1           | TOP GRATE                                    | 7095       | 7095       | 7095       |
| 2           | MAIN TOP (State Color)                       | 5261       | 5260       | 5259       |
| 3           | BURNER BOX BOTTOM                            | 0180       | 0182       | 0184       |
| 4           | HINGE RECEIVER                               | ----       | 8203       | 8203       |
| 5           | FLUE BOX                                     | 0668       | 0667       | 0667       |
| 6           | FLUE BOX RING                                | 0256       | 0868       | 0868       |
| 7           | MAIN BOTTOM                                  | 0256       | 0258       | 0258       |
| 8           | BACK BRACE                                   | 0520       | 0517       | 0517       |
| 9           | MAIN BACK                                    | 0306       | 0313       | 0314       |
| 10          | OVEN BACK INSULATION                         | 8970       | 8972       | 8971       |
| 11          | OVEN WRAP INSULATION                         | 8870       | 8870       | 8871       |
| 12          | MANIFOLD COVER - No Switch (State Color)     | 5149       | 5150       | 5151       |
|             | MANIFOLD COVER- Switch Opening (State Color) | 5156       | 5157       | 5158       |
|             | MANIFOLD COVER DECAL (State Color)           | 4984       | 4985       | 4986       |
| 13          | INNER SIDE BAFFLE                            | 0698       | 0698       | 0698       |
| 14          | LEG LEVELER                                  | 4560       | 4560       | 4560       |
| 15          | MAIN SIDE (State Color) Painted              | 5476       | 5486       | 5486       |
|             | MAIN SIDE (State Color) Enameled             | 5488       | 5490       | 5490       |
| 16          | TOP OVEN DOOR GASKET                         | 7870       | 7874       | 7872       |
| 17          | SIDE OVEN DOOR GASKET                        | 7875       | 7875       | 7870       |
| 18          | OVEN RACK                                    | 7470       | 7472       | 7471       |
| 19          | OVEN BOTTOM                                  | 5699       | 5701       | 5733       |
|             | OVEN BOTTOM SUPPORT SCREW                    | -----      | 60109      | 60109      |
| 20          | OVEN FRONT FRAME                             | 5767       | 5768       | 5769       |
| 21          | LEFT REAR SIDE SUPPORT                       | 0535       | 0535       | 0535       |
| 22          | RIGHT REAR SIDE SUPPORT                      | 0536       | 0536       | 0536       |
| 23          | LEFT BROILER RUNNER WITH BEARINGS            | 0570       | 0570       | 0570       |
| 24          | RIGHT BROILER RUNNER WITH BEARINGS           | 0571       | 0571       | 0571       |
| 25          | BROILER PAN GLIDES                           | 5972       | 5972       | 5972       |
| 26          | ANTI-TIP BRACKET                             | 0551       | 0551       | 0551       |
| 27          | BROILER DOOR SPRING                          | 8070       | 8070       | 8070       |
| 28          | LEFT BROILER HINGE                           | 8170       | 8170       | 8170       |
| 29          | RIGHT BROILER HINGE                          | 8171       | 8171       | 8171       |
| 30          | BROILER BODY                                 | 5971       | 5970       | 5970       |
| 31          | BROILER GRILL                                | 7370       | 7370       | 7370       |
| 32          | BROILER PAN                                  | 7271       | 7270       | 7270       |
| 33          | BROILER DOOR PANEL (State Color)             | 5396       | 5397       | 5405       |
| 34          | DOOR HANDLE SPACER (White)                   | 4681       | 4681       | 4681       |
|             | DOOR HANDLE SPACER (Black)                   | 4680       | 4680       | 4680       |
| 35          | DOOR HANDLE (State Color)                    | 6576       | 6576       | 6576       |
| 36          | BROILER DOOR INSULATION                      | 8810       | 8812       | 8811       |
| 37          | BROILER DOOR LINING                          | 5553       | 5554       | 5565       |

**MAIN BODY FOR SEALED BURNER GAS RANGE**

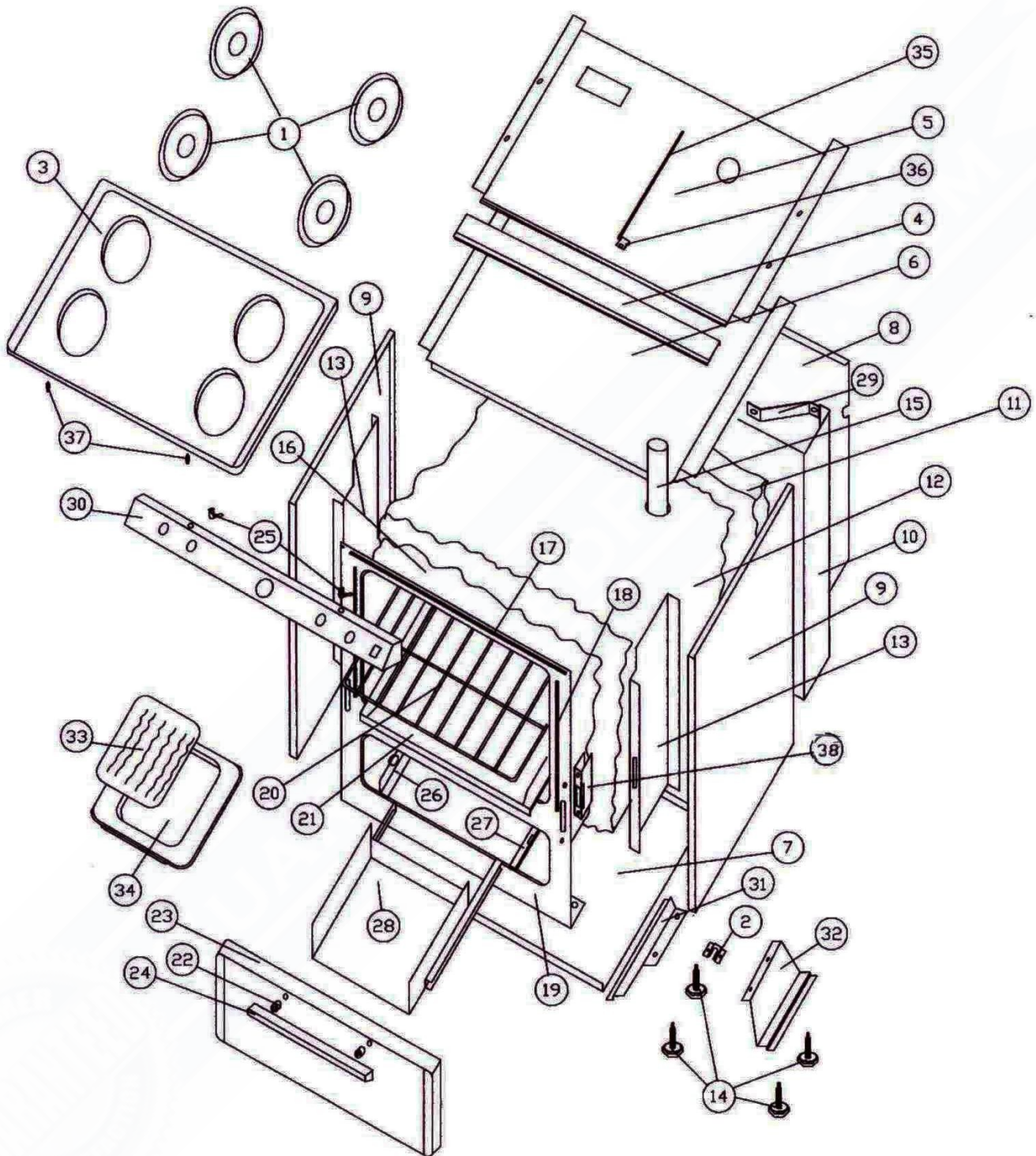




**MAIN BODY FOR 20, 24, & 30 INCH ELECTRIC RANGES**

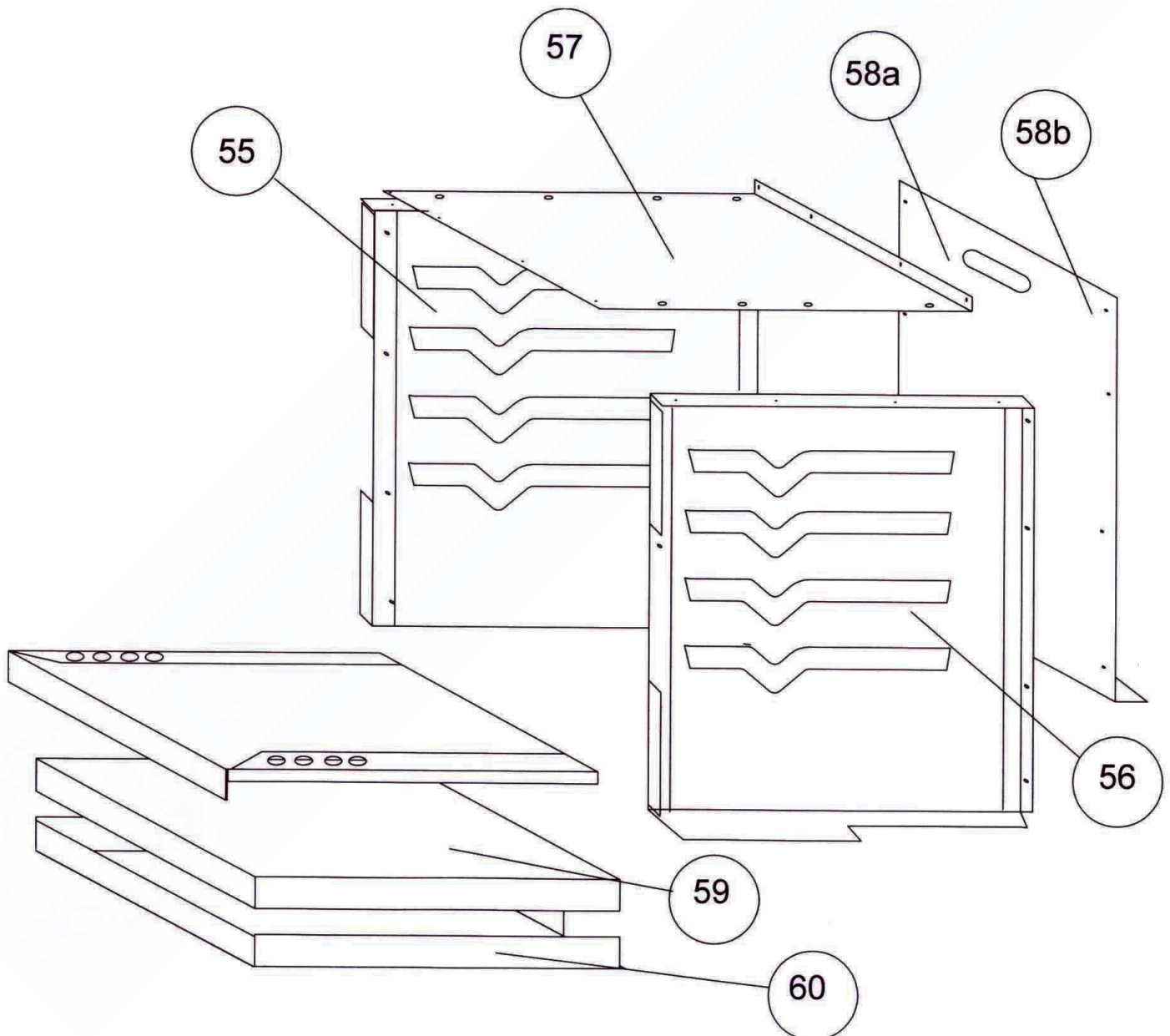
| <b>Ref No.</b> | <b>DESCRIPTION</b>                             | <b>20 INCH</b> | <b>24 INCH</b> | <b>30 INCH</b> |
|----------------|--|----------------|----------------|----------------|
| 1              | LARGE TOP ELEMENT BOWL                         | 7770           | 7770           | 7770           |
|                | SMALL TOP ELEMENT BOWL                         | 7771           | 7771           | 7771           |
| 2              | ANTI-TIP BRACKET                               | 0551           | 0551           | 0551           |
| 3              | MAIN TOP (State Color)                         |                |                |                |
|                | (3) 6in. ELEMENTS (1) 8in. ELEMENTS            | 5298           | 5299           | 5296           |
|                | (2) 6in. ELEMENTS (2) 8in. ELEMENTS            | -----          | -----          | 5300           |
| 4              | FRONT SWITCH COVER                             | 0992           | 0993           | 0994           |
| 5              | UPPER BURNER BOX BOTTOM - ENAMELED             | 0190           | 0191           | 0192           |
|                | UPPER BURNER BOX BOTTOM – PAINTED              | 0194           | 0195           | 0196           |
| 6              | LOWER BURNER BOX BOTTOM                        | 0181           | 0183           | 0185           |
| 7              | MAIN BOTTOM                                    | 0256           | 0257           | 0258           |
| 8              | BACK COVER                                     | 0953           | 0960           | 0951           |
| 9              | MAIN SIDE (State Color) PAINTED                | 5476           | 5486           | 5486           |
|                | MAIN SIDE (State Color) ENAMELED               | 5488           | 5490           | 5490           |
| 10             | MAIN BACK                                      | 0310           | 0311           | 0312           |
| 11             | OVEN BACK INSULATION                           | 8970           | 8972           | 8971           |
| 12             | OVEN WRAP INSULATION                           | 8870           | 8870           | 8871           |
| 13             | INNER SIDE BAFFLE                              | 0698           | 0698           | 0698           |
| 14             | LEG LEVELER                                    | 4560           | 4560           | 4560           |
| 15             | OVEN VENT TUBE                                 | 1876           | 1876           | 1876           |
| 17             | TOP OVEN DOOR GASKET                           | 7870           | 7874           | 7872           |
| 18             | SIDE OVEN DOOR GASKET                          | 7875           | 7875           | 7870           |
| 19             | OVEN FRONT FRAME                               | 5767           | 5768           | 5769           |
| 20             | OVEN RACK                                      | 7470           | 7472           | 7471           |
| 21             | OVEN BOTTOM                                    | 5619           | 5617           | 5735           |
|                | OVEN BOTTOM INSULATION                         | 8970           | 8972           | 8971           |
|                | OVEN BOTTOM INSULATION RETAINER                | 0956           | 0955           | 0954           |
| 22             | DOOR HANDLE SPACER (White)                     | 4681           | 4681           | 4681           |
|                | DOOR HANDLE SPACER (Black)                     | 4680           | 4680           | 4680           |
| 23             | STORAGE DRAWER PANEL (State Color)             | 5385           | 5386           | 5387           |
|                | DRAWER PANEL BUMPERS                           | 4730           | 4730           | 4730           |
| 24             | DOOR HANDLE (State Color)                      | 6576           | 6576           | 6576           |
| 25             | MAIN TOP STRIKE PIN CATCH                      | 4973           | 4973           | 4973           |
| 26             | LEFT STORAGE DRAWER RUNNER                     | 0570           | 0572           | 0572           |
| 27             | RIGHT STORAGE DRAWER RUNNER                    | 0571           | 0573           | 0573           |
| 28             | STORAGE DRAWER BODY                            | 5955           | 5954           | 5953           |
| 29             | BACK BRACE                                     | 0520           | 0517           | 0517           |
| 30             | CONTROL PANEL- NO SWITCH OPENING (State Color) | 5066           | 5067           | 5068           |
|                | CONTROL PANEL- W/SWITCH OPENING (State Color)  | 5139           | 5140           | 5141           |
|                | CONTROL PANEL DECAL (State Color)              | 5049           | 5050           | 5051           |
| 31             | LEFT REAR SIDE SUPPORT                         | 0535           | 0535           | 0535           |
| 32             | RIGHT REAR SIDE SUPPORT                        | 0536           | 0536           | 0536           |
| 33             | BROILER GRILL                                  | 7370           | 7370           | 7370           |
| 34             | BROILER PAN                                    | 7271           | 7271           | 7271           |
| 35             | MAIN TOP SUPPORT ROD                           | 59573          | 59573          | 59573          |
| 36             | MAIN TOP SUPPORT ROD CLIP                      | 59792          | 59792          | 59792          |
| 37             | MAIN TOP STRIKE PIN                            | 4871           | 4871           | 4871           |
| 38             | HINGE RECIEVER                                 | -----          | 8203           | 8203           |

# MAIN BODY FOR 20, 24, & 30 INCH ELECTRIC RANGES



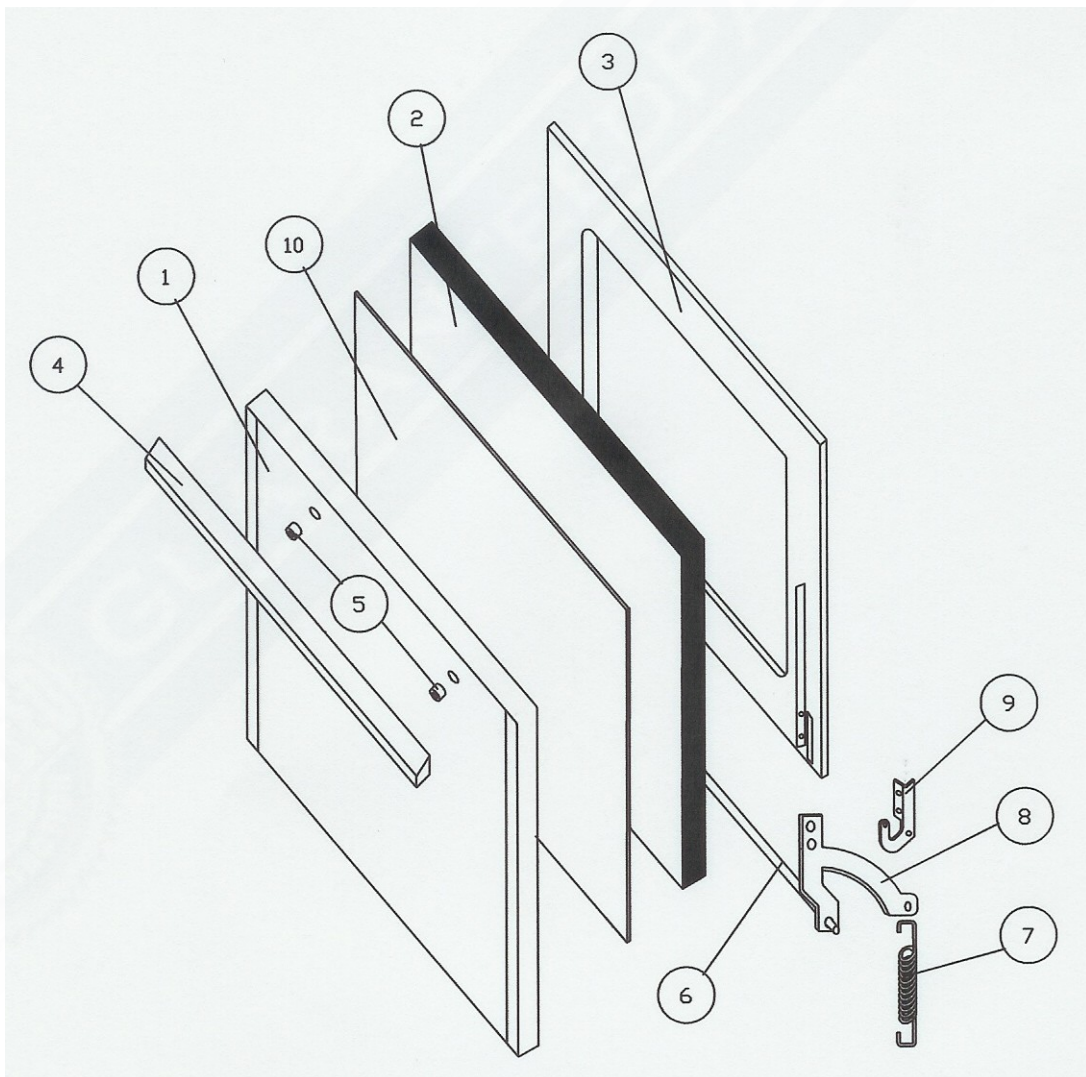
## STANDARD OVEN CAVITY-All models

| Ref. No. | DESCRIPTION                                     | 20 INCH | 24 INCH | 30 INCH | 36 INCH |
|----------|---|---------|---------|---------|---------|
| 55       | LEFT OVEN SIDE LINING                           | 5805    | 5805    | 5805    | 5805    |
| 56       | RIGHT OVEN SIDE LINING                          | 5807    | 5807    | 5807    | 5807    |
| 57       | OVEN TOP LINING (Gas Range)                     | 5707    | 5711    | 5715    | 5715    |
|          | OVEN TOP LINING (Electric Range)                | 5799    | 5801    | 5803    | -----   |
| 58a      | REAR OVEN LINING (Without Light-Gas Range)      | 5872    | 5876    | 5880    | 5880    |
|          | REAR OVEN LINING (With Light-gas range)         | 5873    | 5877    | 5881    | 5881    |
| 58b      | REAR OVEN LINING (Without Light-Electric Range) | 5884    | 5888    | 5892    | -----   |
|          | REAR OVEN LINING (With Light-Electric Range)    | 5885    | 5889    | 5893    | -----   |
| 59       | OVEN BOTTOM INSULATION (Electric Range)         | 8970    | 8972    | 8971    | -----   |
| 60       | OVEN BOTTOM INSULATION RETAINER (Electric)      | 0956    | 0955    | 0954    | -----   |



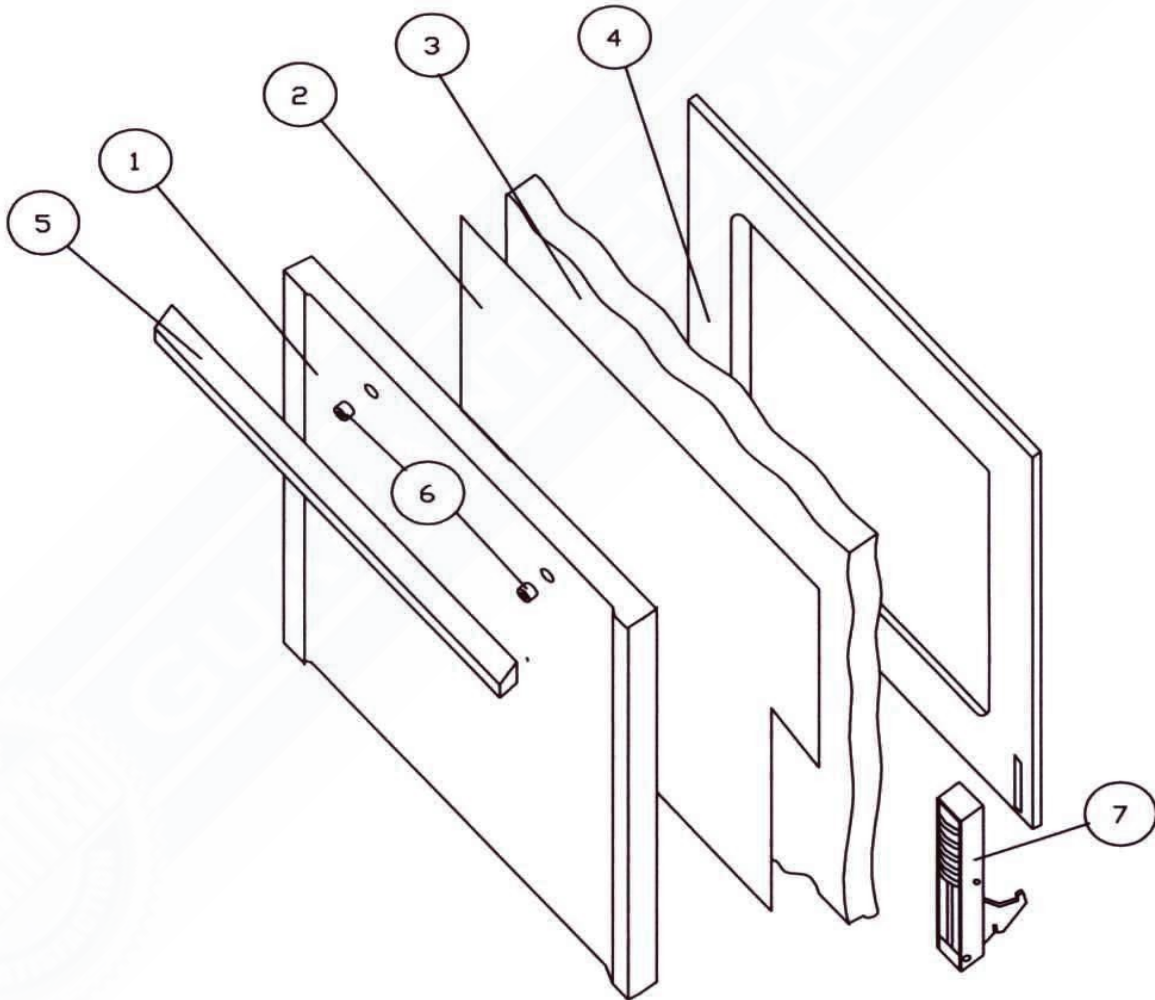
## 20 INCH SOLID OVEN DOOR

| Ref. |   | 20    |
|------|---|-------|
| No.  | DESCRIPTION                                       | INCH  |
| 1    | SOLID OVEN DOOR PANEL- ELEC. OR GAS (State Color) | 5348  |
| 2    | OVEN DOOR INSULATION- ELEC. OR GAS (State Color)  | 8713  |
| 3    | SOLID OVEN DOOR LINING                            | 5593  |
| 4    | OVEN DOOR HANDLE (State Color)                    | 6577  |
|      | OVEN DOOR HANDLE SCREWS                           | 59991 |
| 5    | OVEN DOOR HANDLE SPACERS (Black)                  | 4680  |
|      | OVEN DOOR HANDLE SPACERS (White)                  | 4681  |
| 6    | OVEN DOOR ROD                                     | 8183  |
| 7    | OVEN DOOR SPRING                                  | 8071  |
| 8    | LEFT OVEN DOOR HINGE                              | 8184  |
|      | RIGHT OVEN DOOR HINGE (SHOWN)                     | 8185  |
| 9    | LEFT HINGE BEARING                                | 8272  |
|      | RIGHT HINGE BEARING (SHOWN)                       | 8273  |
| 10   | INNER DOOR PANEL-GAS OR ELEC.                     | 0658  |



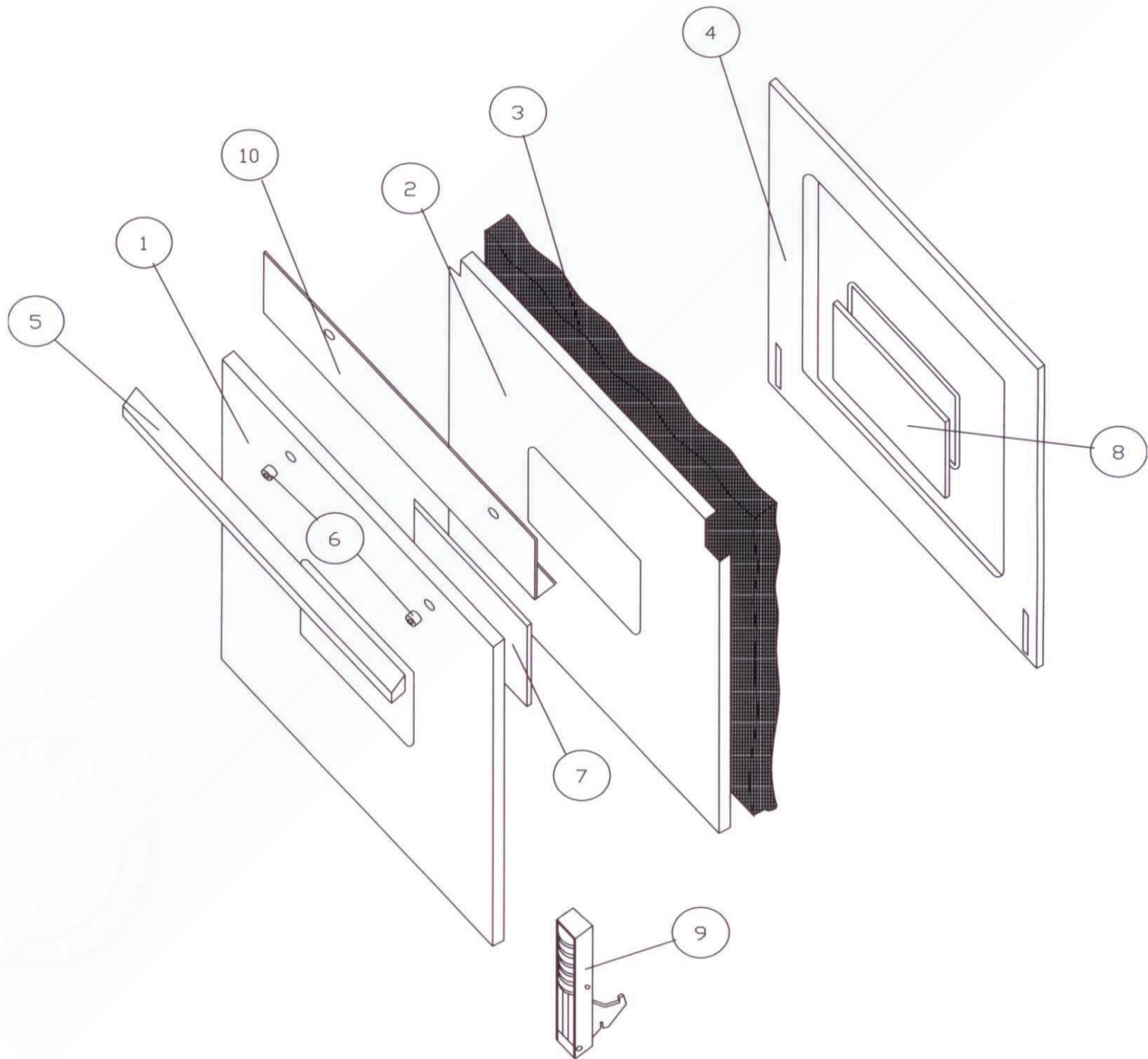
## 24, 30 & 36 INCH SOLID OVEN DOORS

| Ref. No. | DESCRIPTION                                       | 24 INCH | 30 INCH | 36 INCH |
|----------|---|---------|---------|---------|
| 1        | SOLID OVEN DOOR PANEL- ELEC. OR GAS (State Color) | 5346    | 5347    | 5347    |
| 2        | INNER DOOR PANEL-GAS OR ELEC.                     | 0699    | 0696    | 0696    |
| 3        | OVEN DOOR INSULATION- ELEC. OR GAS (State Color)  | 8710    | 8710    | 8710    |
| 4        | SOLID OVEN DOOR LINING                            | 5494    | 5495    | 5495    |
| 5        | OVEN DOOR HANDLE (State Color)                    | 6577    | 6578    | 6578    |
|          | OVEN DOOR HANDLE SCREWS                           | 59991   | 59991   | 59991   |
| 6        | OVEN DOOR HANDLE SPACERS (Black)                  | 4680    | 4680    | 4680    |
|          | OVEN DOOR HANDLE SPACERS (White)                  | 4681    | 4681    | 4681    |
| 7        | LEFT LIFT-OFF HINGE                               | 8202    | 8202    | 8202    |
|          | RIGHT LIFT-OFF HINGE                              | 8202    | 8202    | 8202    |



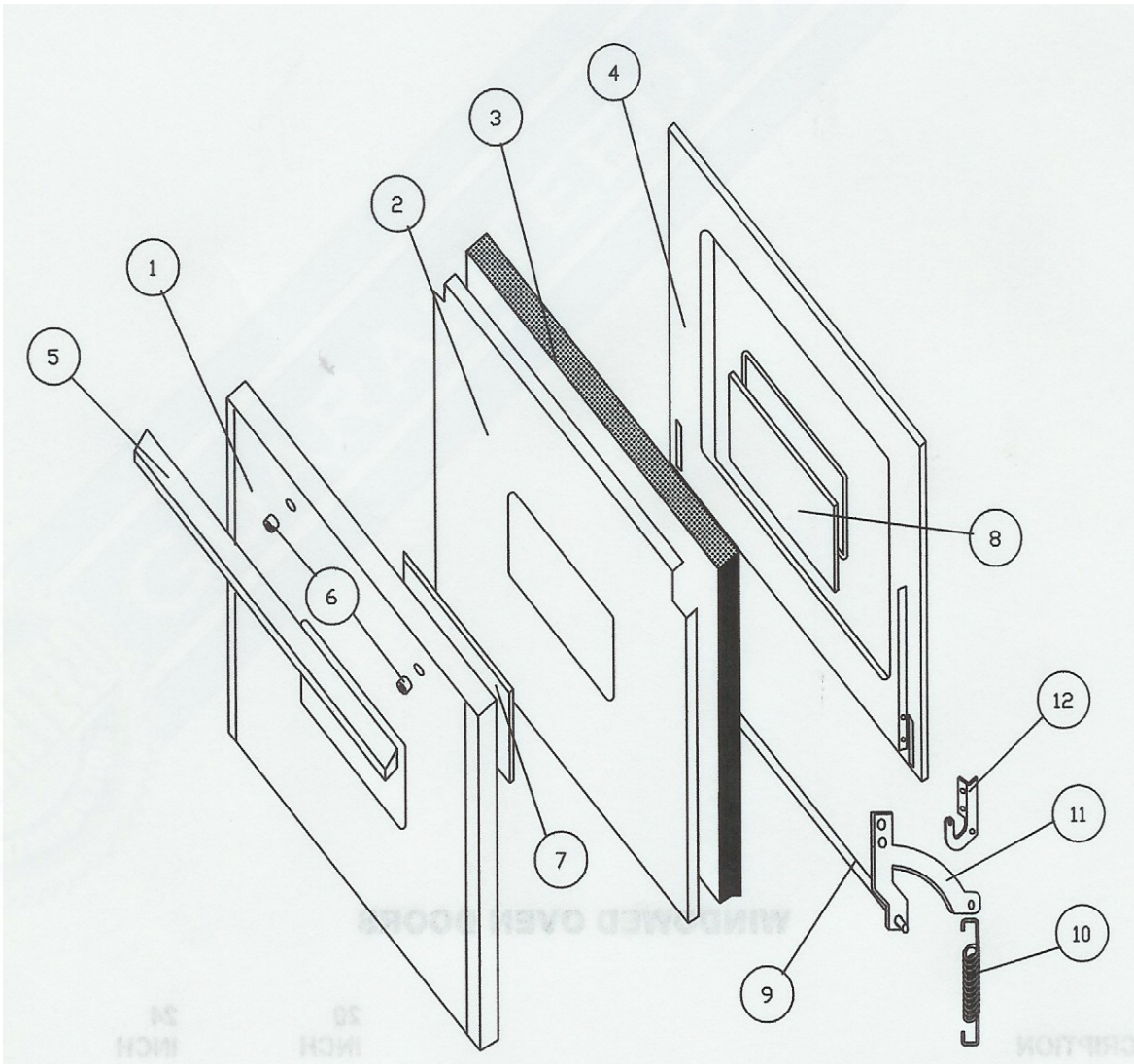
## 24, 30 & 36 INCH WINDOWED OVEN DOOR

| Ref. No. | DESCRIPTION                            | 24 INCH | 30 INCH | 36 INCH |
|----------|--|---------|---------|---------|
| 1        | WINDOWED OVEN DOOR PANEL (State Color) | 5332    | 5334    | 5334    |
| 2        | INNER DOOR PANEL                       | 0663    | 0664    | 0664    |
| 3        | OVEN DOOR INSULATION                   | 8709    | 8711    | 8711    |
| 4        | WINDOWED OVEN DOOR LINING              | 5496    | 5497    | 5497    |
| 5        | OVEN DOOR HANDLE (State Color)         | 6577    | 6578    | 6578    |
|          | OVEN DOOR HANDLE SCREW                 | 59991   | 59991   | 59991   |
| 6        | OVEN DOOR HANDLE SPACER (White)        | 4681    | 4681    | 4681    |
|          | OVEN DOOR HANDLE SPACER (Black)        | 4680    | 4680    | 4680    |
| 7        | OUTSIDE GLASS WINDOW PANE- CLEAR       | 4284    | 4284    | 4284    |
| 8        | INSIDE GLASS WINDOW PANE- CLEAR        | 4284    | 4284    | 4284    |
| 9        | LIFT-OFF HINGE (RIGHT)                 | 8202    | 8202    | 8202    |
|          | LIFT-OFF HINGE (LEFT)                  | 8202    | 8201    | 8201    |
| 10       | WINDOWED OVEN DOOR BAFFLE              | 0665    | -----   | -----   |



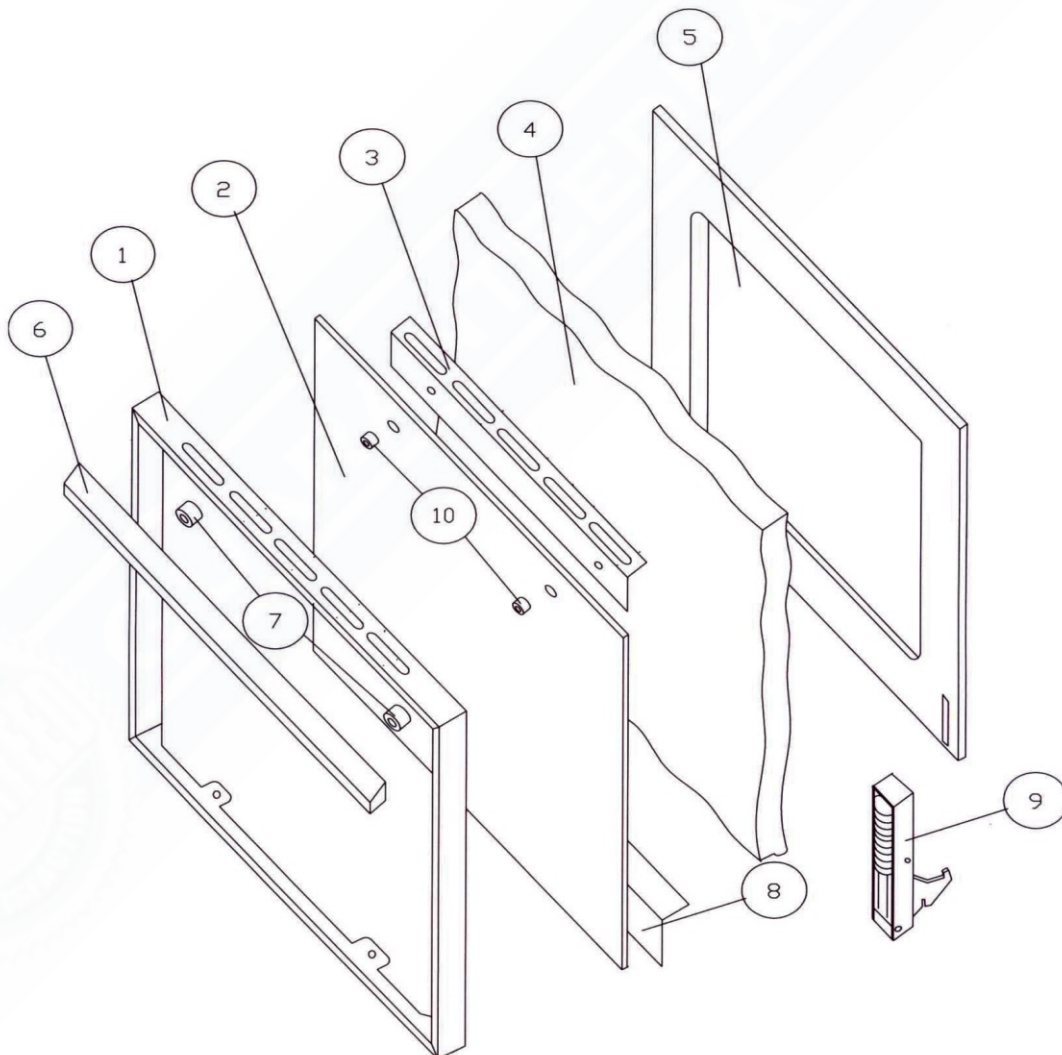
## 20 IN. WINDOWED OVEN DOORS

| Ref. No. | DESCRIPTION                            | 20 INCH |
|----------|--|---------|
| 1        | WINDOWED OVEN DOOR PANEL (State Color) | 5345    |
| 2        | INNER DOOR PANEL                       | 0655    |
| 3        | OVEN DOOR INSULATION                   | 8708    |
| 4        | WINDOWED OVEN DOOR LINING              | 5594    |
| 5        | OVEN DOOR HANDLE (State Color)         | 6577    |
|          | OVEN DOOR HANDLE SCREW                 | 59991   |
| 6        | OVEN DOOR HANDLE SPACER (White)        | 4681    |
|          | OVEN DOOR HANDLE SPACER (Black)        | 4680    |
| 7        | OUTSIDE GLASS WINDOW PANE- CLEAR       | 4285    |
| 8        | INSIDE GLASS WINDOW PANE- CLEAR        | 4285    |
| 9        | OVEN DOOR ROD                          | 8183    |
| 10       | OVEN DOOR SPRING                       | 8071    |
| 11       | LEFT OVEN DOOR HINGE                   | 8184    |
|          | RIGHT OVEN DOOR HINGE (SHOWN)          | 8185    |
| 12       | LEFT HINGE BEARING                     | 8272    |
|          | RIGHT HINGE BEARING (SHOWN)            | 8273    |



## BLACK GLASS OVEN DOOR (SOLID)

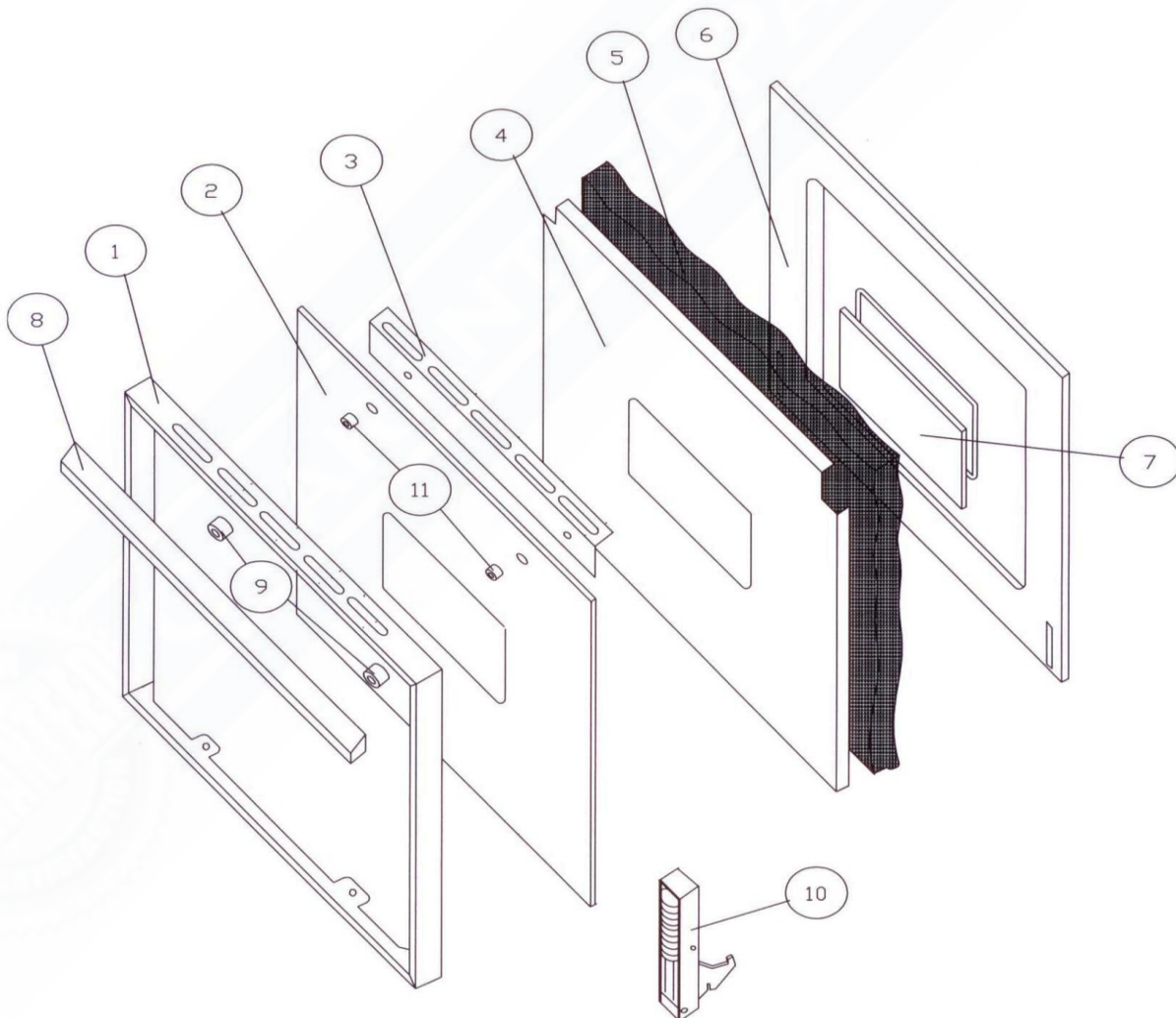
| Ref.<br>No. | DESCRIPTION                        | 24<br>INCH | 30<br>INCH |
|-------------|------------------------------------|------------|------------|
| 1           | OVEN DOOR TRIM                     | 9804       | 9805       |
| 2           | BLACK GLASS PANE-SOLID             | 4364       | 4368       |
| 3           | BLACK GLASS HANDLE SUPPORT BRACKET | 0785       | 0785       |
| 4           | BLACK GLASS DOOR INSULATION        | 8710       | 8712       |
| 5           | OVEN DOOR LINING- SOLID            | 5494       | 5495       |
| 6           | OVEN DOOR HANDLE-(state color)     | 6577       | 6578       |
|             | OVEN DOOR HANDLE SCREW             | 59993      | 59993      |
| 7           | OVEN DOOR HANDLE SPACERS (Black)   | 4680       | 4680       |
| 8           | DOOR TRIM BRACKET                  | 0455       | 0454       |
| 9           | LIFT-OFF HINGE (LEFT)              | 8200       | 8201       |
|             | LIFT-OFF HINGE (RIGHT)             | 8200       | 8201       |
| 10          | RUBBER GLASS SPACER                | 60113      | 60113      |





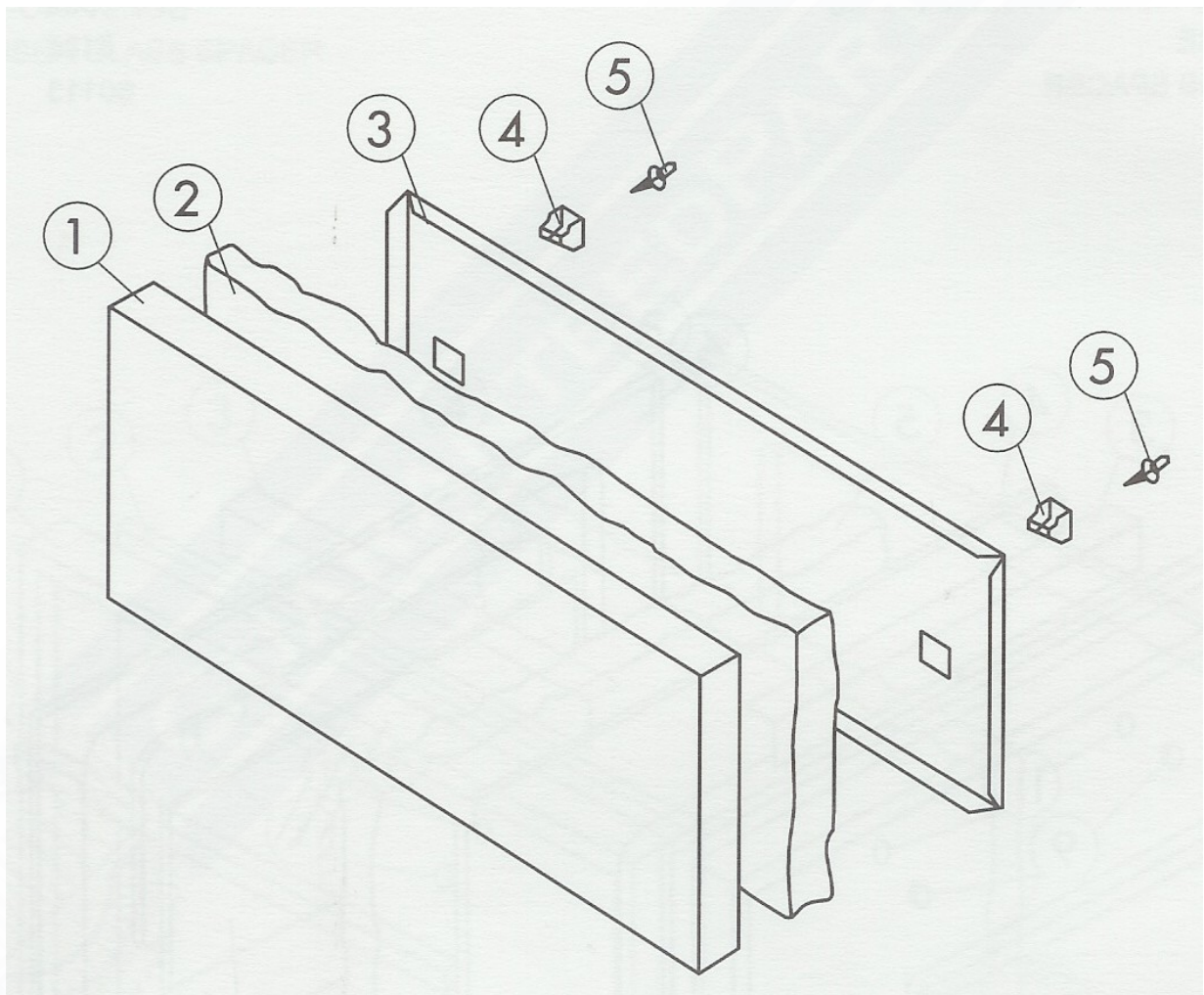
## **BLACK GLASS OVEN DOOR (WINDOWED)**

| Ref.<br>No. | DESCRIPTION                        | 24<br>INCH | 30<br>INCH |
|-------------|------------------------------------|------------|------------|
| 1           | OVEN DOOR TRIM                     | 9804       | 9805       |
| 2           | BLACK GLASS PANE-WINDOWED          | 4365       | 4369       |
| 3           | BLACK GLASS HANDLE SUPPORT BRACKET | 0783       | 0783       |
| 4           | INNER DOOR PANEL                   | 0663       | 0664       |
| 5           | OVEN DOOR INSULATION               | 8709       | 8711       |
| 6           | OVEN DOOR LINING- WINDOWED         | 5496       | 5497       |
| 7           | INSIDE GLASS WINDOWED PANE-CLEAR   | 4284       | 4284       |
| 8           | OVEN DOOR HANDLE- BLACK            | 6577B      | 6578B      |
|             | OVEN DOOR HANDLE SCREW             | 59993      | 59993      |
| 9           | OVEN DOOR HANDLE SPACERS (Black)   | 4680       | 4680       |
| 10          | LIFT-OFF HINGE                     | 8200       | 8201       |
| 11          | RUBBER GLASS SPACER                | 60113      | 60113      |



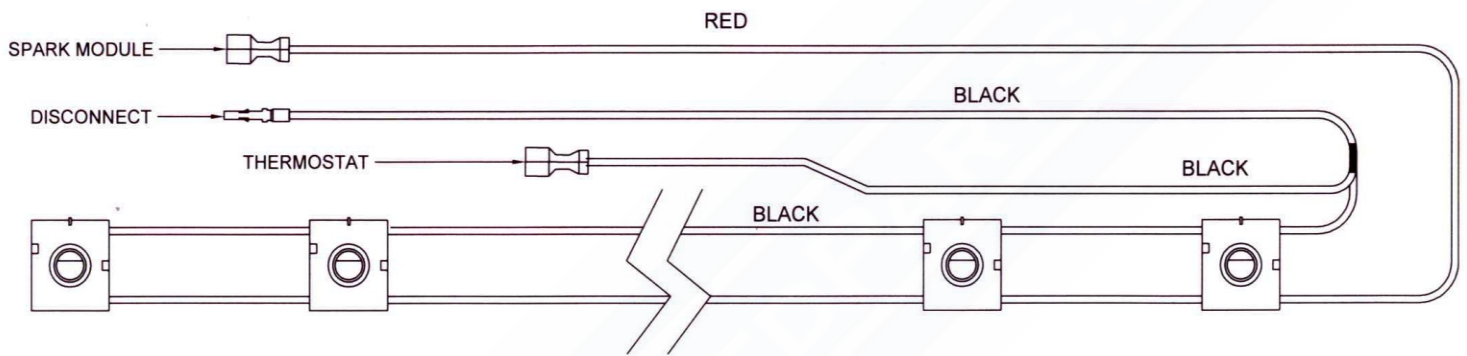
## SNAP-ON BROILER DOOR

| Ref. No. | DESCRIPTION                         | GAS     |         |         | ELECTRIC |         |         |
|----------|-------------------------------------|---------|---------|---------|----------|---------|---------|
|          |                                     | 20 INCH | 24 INCH | 30 INCH | 20 INCH  | 24 INCH | 30 INCH |
| 1        | SNAP-ON BROILER PANEL (State Color) | 5399    | 5400    | 5406    | -----    | -----   | -----   |
|          | SNAP-ON STORAGE PANEL (State Color) | -----   | -----   | -----   | 5402     | 5403    | 5404    |
| 2        | BROILER INSULATION                  | 8810    | 8811    | 8811    | -----    | -----   | -----   |
| 3        | SNAP-ON BROILER LINING              | 5498    | 5499    | 5509    | -----    | -----   | -----   |
| 4        | SNAP-ON CATCH                       | 4976    | 4976    | 4976    | 4976     | 4976    | 4976    |
| 5        | SNAP-ON STRIKE PIN                  | 4878    | 4878    | 4878    | 4878     | 4878    | 4878    |



# SWITCH WIRE HARNESS FOR GAS RANGES

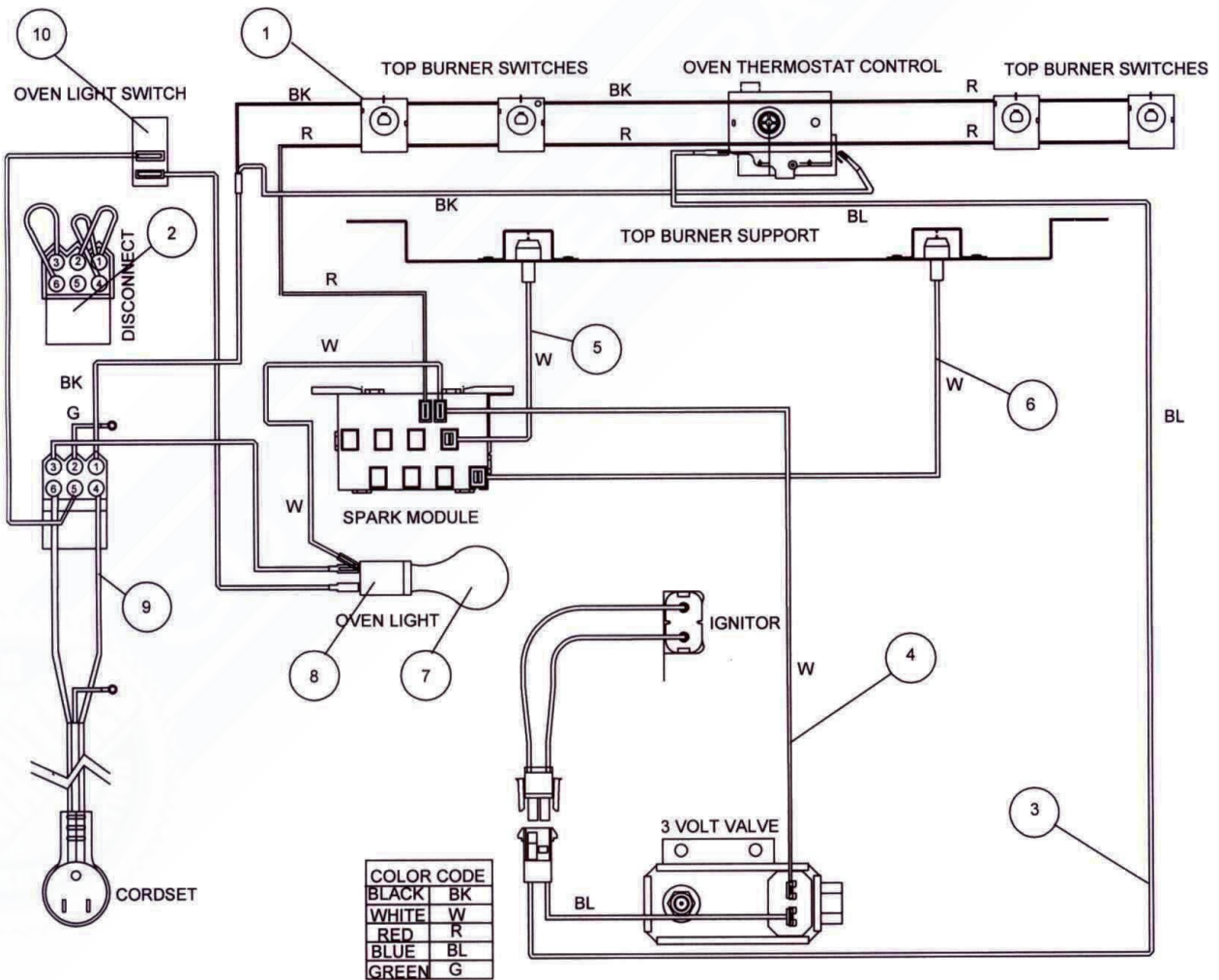
| DESCRIPTION  | PART NO. |
|--------------|----------|
| 20" RANGE    | 1237     |
| 24" RANGE    | 1237     |
| 30" 4-BURNER | 1238     |
| 30" 5-BURNER | 1240     |
| 36" 4-BURNER | 1239     |
| 36" 5-BURNER | 1241     |
| 36" 6-BURNER | 1242     |



## HOT SURFACE IGNITION WIRE DESCRIPTION

REF.

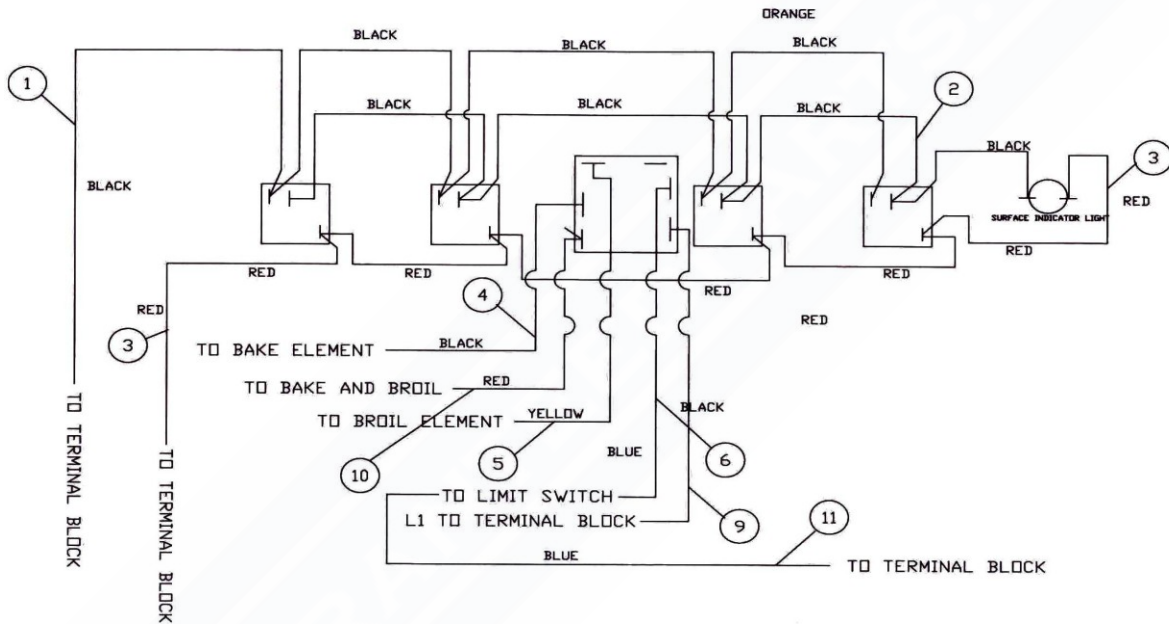
| NO. | DESCRIPTION             | 20"   | 24"   | 30"   | 36"   | 30GR  | 36GR  | 36-6BURNER |
|-----|-------------------------|-------|-------|-------|-------|-------|-------|------------|
| 1   | SWITCH HARNESS          | 1237  | 1237  | 1238  | 1239  | 1240  | 1241  | 1242       |
| 2   | WIRING DISCONNECT       | 2957  | 2957  | 2957  | 2957  | 2957  | 2957  | 2957       |
| 3   | BLUE WIRE               | 60340 | 60340 | 60340 | 60340 | 60340 | 60340 | 60340      |
| 4   | WHITE WIRE              | 60341 | 60341 | 60341 | 60341 | 60341 | 60341 | 60341      |
| 5   | ELECTRODE WIRE (RIGHT)  | 1485  | 1485  | 1485  | 1485  | 1485  | 1485  | 1485       |
| 5a  | ELECTRODE WIRE (MIDDLE) | ----- | ----- | ----- | ----- | 1486  | 1486  | 1486       |
| 6   | ELECTRODE WIRE (LEFT)   | 1486  | 1486  | 1487  | 1487  | 1487  | 1487  | 1487       |
| 7   | OVEN LIGHT              | 2670  | 2670  | 2670  | 2670  | 2670  | 2670  | 2670       |
| 8   | OVEN LIGHT RECEPTACLE   | 2870  | 2870  | 2870  | 2870  | 2870  | 2870  | 2870       |
| 9   | POWER CORD              | 59698 | 59698 | 59698 | 59698 | 59698 | 59698 | 59698      |
| 10  | OVEN LIGHT SWITCH       | 2488  | 2488  | 2488  | 2488  | 2488  | 2488  | 2488       |



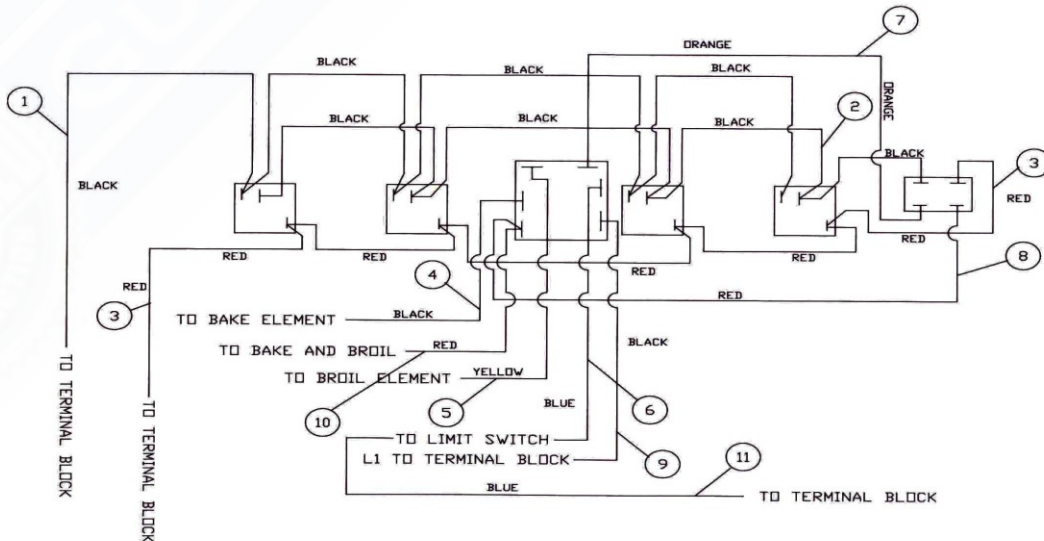
# ELECTRIC RANGE WIRING

| Ref. No. | DESCRIPTION                              | 20 INCH | 24 INCH | 30 INCH |
|----------|--|---------|---------|---------|
| 1        | 14GA. BLACK JUMPER WIRE                  | 3060B   | 3060B   | 3060B   |
|          | 12 GA. BLACK AND YELLOW WIRE             | -----   | -----   | 3101B   |
| 2        | 18GA. BLACK JUMPER WIRE                  | 3051A   | 3051A   | 3051A   |
| 3        | 14GA. RED JUMPER WIRE                    | 3061B   | 3061B   | 3061B   |
|          | 12GA. RED AND BLUE JUMPER WIRE           | -----   | -----   | 3102B   |
| 4        | BLACK BAKE ELEMENT WIRE                  | 3099A   | 3099A   | 3099A   |
| 5        | YELLOW BROIL ELEMENT WIRE                | 3100A   | 3100A   | 3100A   |
| 6        | BLUE LIMIT SWITCH WIRE                   | 3096A   | 3096A   | 3096A   |
| 7        | ORANGE INDICATOR LIGHT WIRE              | -----   | 3095A   | 3095A   |
| 8        | RED INDICATOR LIGHT JUMPER WIRE          | -----   | 3094A   | 3094A   |
| 9        | BLACK WIRE L1 TO TERMINAL BLOCK          | 3105    | 3105    | 3105    |
| 10       | RED WIRE, THERMOSTAT TO BAKE AND BROIL   | 3103    | 3103    | 3103    |
| 11       | BLUE WIRE LIMIT SWITCH TO TERMINAL BLOCK | 3097B   | 3097B   | 3097B   |

## 20 INCH RANGE



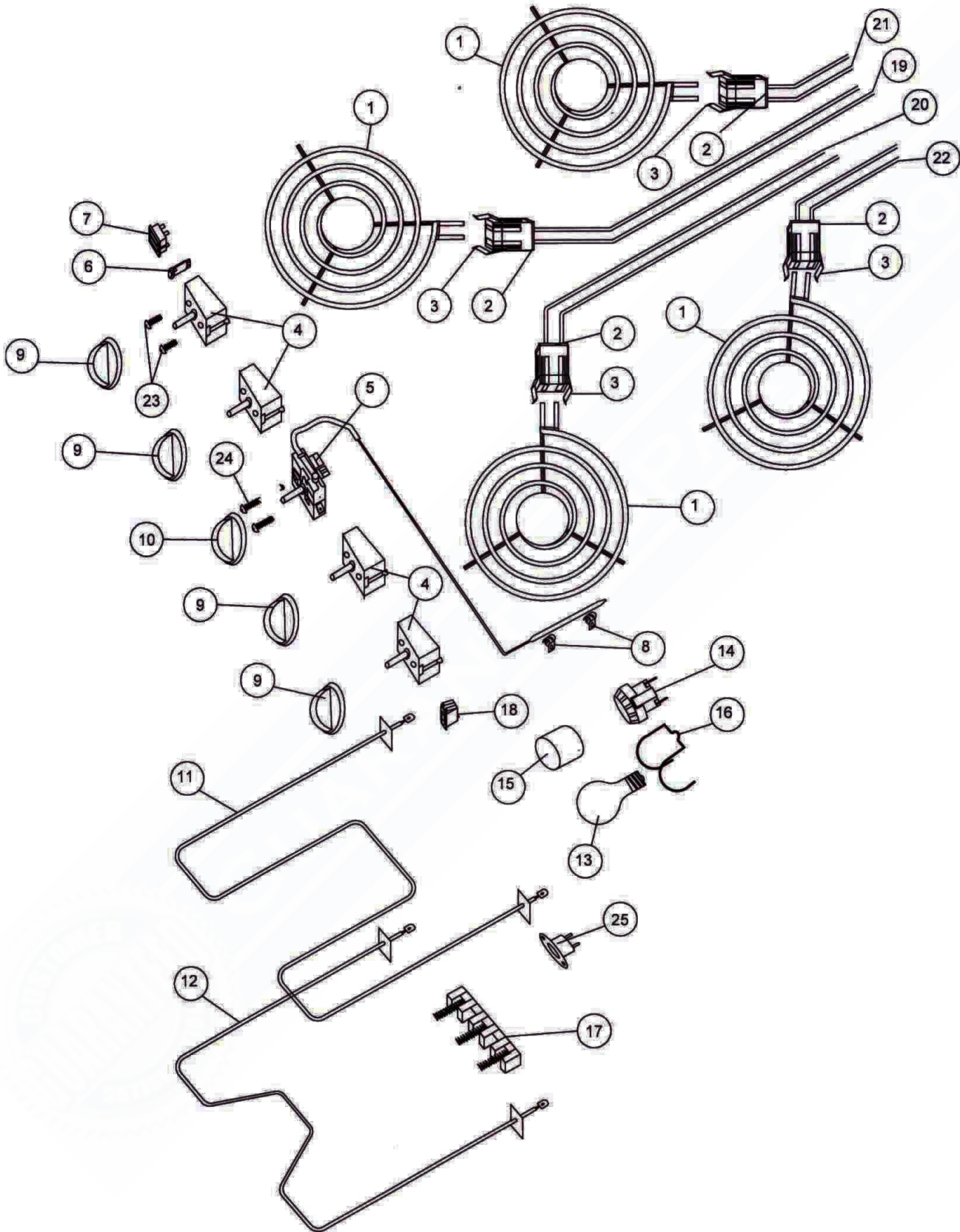
## 24 & 30 INCH RANGE



## **ELECTRIC TOP & OVEN ELEMENTS WITH CONTROLS**

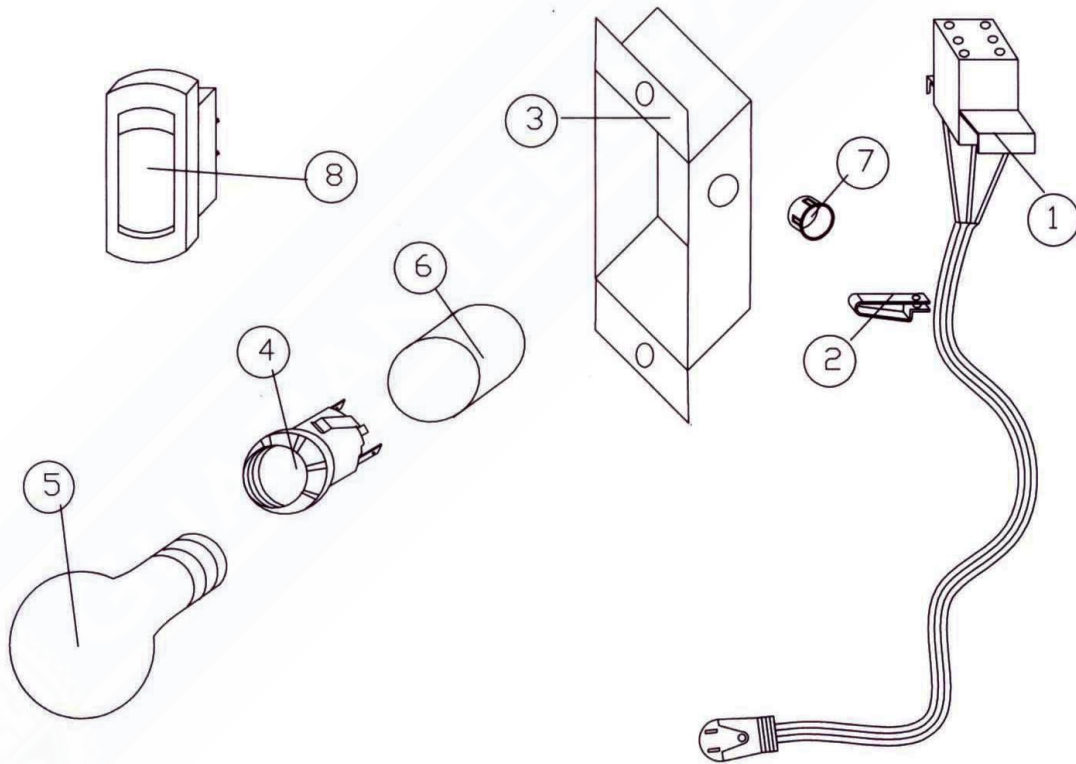
| <b>Ref.<br/>No.</b> | <b>DESCRIPTION</b>                      | <b>20<br/>INCH</b> | <b>24<br/>INCH</b> | <b>30<br/>INCH</b> |
|---------------------|---|--------------------|--------------------|--------------------|
| 1                   | 1250W. 6IN. TOP ELEMENT                 | 2391B              | 2391B              | 2391B              |
|                     | 2100W. 8IN. TOP ELEMENT                 | 2392B              | 2392B              | 2392B              |
| 2                   | TOP ELEMENT RECEPTACLE BRACKET          | 2875B              | 2875B              | 2875B              |
|                     | TOP ELEMENT RECEPTACLE BLOCK            | 2875A              | 2875A              | 2875A              |
| 3                   | RECEPTACLE BLOCK W/WIRES (State Colors) | 2875               | 2875               | 2875               |
| 4                   | INFINITE SWITCH- 1250W CSI              | 2286               | 2286               | 2286               |
|                     | INFINITE SWITCH- 2100W CSI              | 2287               | 2287               | 2287               |
|                     | INFINITE SCREW                          |                    |                    |                    |
| 5                   | THERMOSTAT                              | 2169               | 2169               | 2169               |
|                     | THERMOSTAT MOUNTING SCREW               |                    |                    |                    |
| 6                   | SIGNAL LIGHT- SURFACE ONLY              | 2672               | -----              | -----              |
| 7                   | SIGNAL LIGHT – SURFACE & OVEN           |                    | 2675               | 2675               |
| 8                   | CAPILLARY BULB CLIP                     | 4770               | 4770               | 4770               |
| 9                   | SURFACE ELEMENT KNOB – BLACK            | 6476               | 6476               | 6476               |
|                     | SURFACE ELEMENT KNOB – WHITE            | 6476W              | 6476W              | 6476W              |
| 10                  | THERMOSTAT DIAL – BLACK                 | 6377               | 6377               | 6377               |
|                     | THERMOSTAT DIAL – WHITE                 | 6377W              | 6377W              | 6377W              |
| 11                  | BROIL ELEMENT                           | 2396               | 2396               | 2398               |
| 12                  | BAKE ELEMENT                            | 2395               | 2395               | 2397               |
| 13                  | APPLIANCE LIGHT BULB 115V – 40W         | 2670               | 2670               | 2670               |
|                     | APPLIANCE LIGHT BULB 230V – 40W         | 2680               | 2680               | 2680               |
| 14                  | OVEN LIGHT RECEPTACLE                   | 2870               | 2870               | 2870               |
| 15                  | OVEN LIGHT RING                         | 0873               | 0873               | 0873               |
| 16                  | OVEN LIGHT GUARD                        | 0869               | 0869               | 0869               |
| 17                  | TERMINAL BLOCK                          | 2771               | 2771               | 2771               |
|                     | TERMINAL BLOCK LUGS                     | 2772               | 2772               | 2772               |
| 18                  | 2 – WAY LIGHT SWITCH – BLACK            | 2488B              | 2488B              | 2488B              |
|                     | 2 – WAY LIGHT SWITCH – WHITE            | 2488W              | 2488W              | 2488W              |
| 19                  | LEFT FRONT ELEMENT WIRE                 | 3090               | 3090               | 3090               |
| 20                  | RIGHT FRONT ELEMENT WIRE                | 3093               | 3093               | 3093               |
| 21                  | LEFT REAR ELEMENT WIRE                  | 3091               | 3091               | 3091               |
| 22                  | RIGHT REAR ELEMENT WIRE                 | 3092               | 3092               | 3092               |
| 25                  | LIMIT SWITCH                            | 2150               | 2150               | 2150               |

# ELECTRIC TOP & OVEN ELEMENTS WITH CONTROLS



## GAS RANGE OVEN LIGHT COMPONENTS

| Ref. No. | DESCRIPTION                     | 20 INCH | 24 INCH | 30 INCH | 36 INCH |
|----------|---------------------------------|---------|---------|---------|---------|
| 1        | POWER SUPPLY CORD               | 59698   | 59698   | 59698   | 59698   |
| 2        | POWER SUPPLY CORD STRAIN RELIEF | 4975    | 4975    | 4975    | 4975    |
| 3        | POWER BOX                       | 0977    | 0977    | 0977    | 0977    |
| 4        | OVEN LIGHT RECEPTACLE           | 2870    | 2870    | 2870    | 2870    |
| 5        | APPLIANCE LIGHT BULB 115V-40W   | 2670    | 2670    | 2670    | 2670    |
| 6        | OVEN LIGHT RING                 | 0873    | 0873    | 0873    | 0873    |
| 7        | WIRE BUSHING                    | 0070    | 0070    | 0070    | 0070    |
| 8        | 2-WAY LIGHT SWITCH (BLACK)      | 2488B   | 2488B   | 2488B   | 2488B   |
|          | 2-WAY LIGHT SWITCH (WHITE)      | 2488W   | 2488W   | 2488W   | 2488W   |





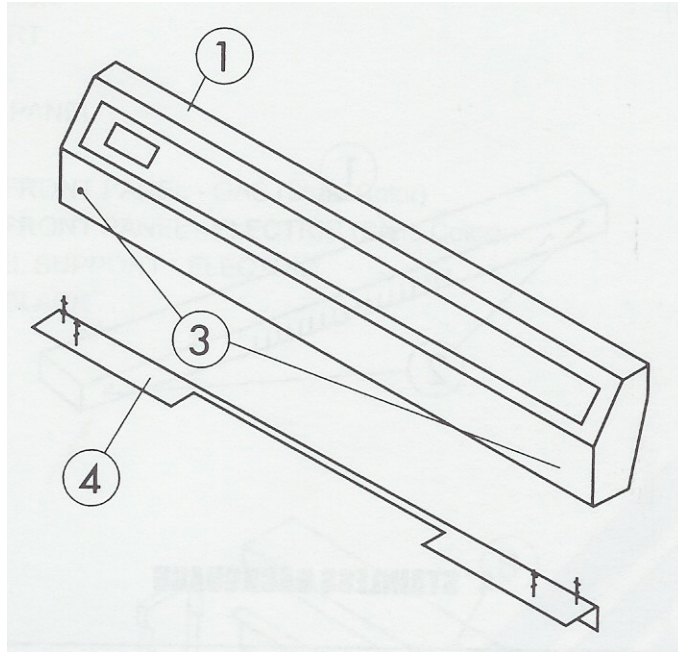
### **4" PORCELAIN BACKGUARD**

| <b>Ref. No.</b> | <b>DESCRIPTION</b>                           | <b>20 INCH</b> | <b>24 INCH</b> | <b>30 INCH</b> | <b>36 INCH</b> |
|-----------------|--|----------------|----------------|----------------|----------------|
| 1               | 4" PORCELAIN BACKGUARD (GAS) (State Color)   | 9221           | 9241           | 9231           | 9261           |
|                 | 4" PORCELAIN BACKGUARD (ELEC.) (State Color) | 9223           | 9243           | 9233           | -----          |
| 3               | TOP HINGE PINS                               | 4876           | 4876           | 4876           | 4876           |
| 4               | BACKGUARD SUPPORT (ELECTRIC RANGE)           | 9250           | 9251           | 9252           | -----          |

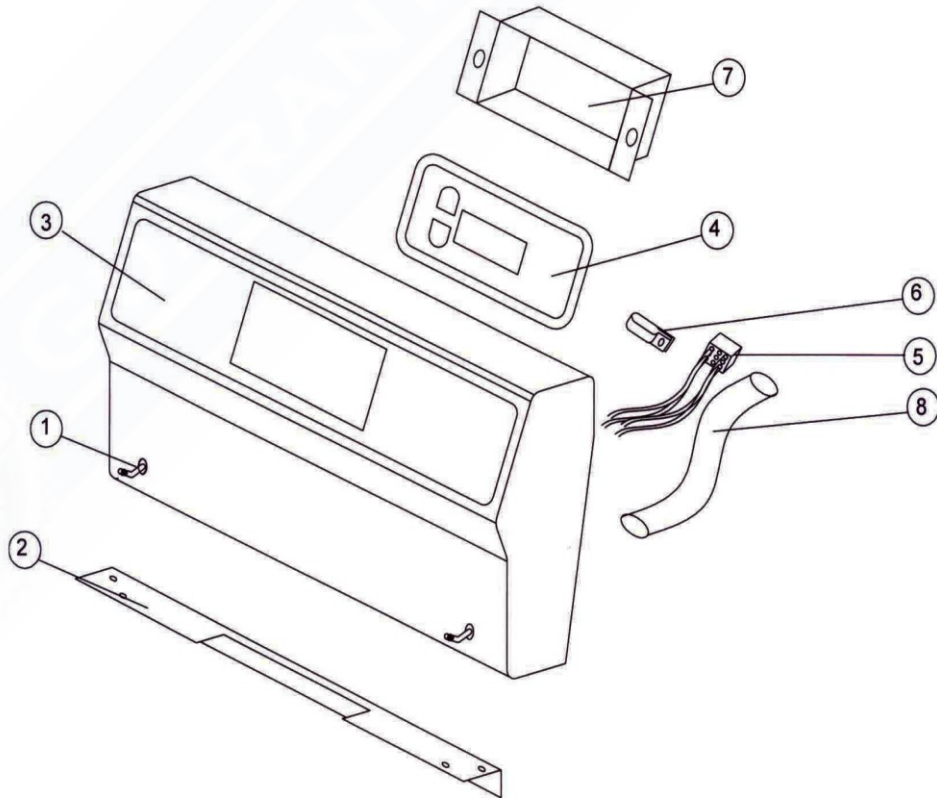
### **9" PORCELAIN BACKGUARD**

| <b>Ref. No.</b> | <b>DESCRIPTION</b>                         | <b>20 INCH</b> | <b>24 INCH</b> | <b>30 INCH</b> | <b>36 INCH</b> |
|-----------------|--|----------------|----------------|----------------|----------------|
| 3               | TOP HINGE PINS                             | 4876           | 4876           | 4876           | 4876           |
| 4               | BACKGUARD SUPPORT (ELECTRIC RANGE ONLY)    | 9250           | 9251           | 9252           | -----          |
| 5               | 9" BACKGUARD-NO CLOCK-GAS (State Color)    | 9270           | 9274           | 9278           | 9282           |
|                 | 9" BACKGUARD- WITH CLOCK-GAS (State Color) | 9286           | 9275           | 9287           | 9283           |
|                 | 9" BACKGUARD-NO CLOCK-ELEC. (State Color)  | 9272           | 9276           | 9280           | -----          |
|                 | 9" BACKGUARD-CLOCK-ELEC. (State Color)     | 9288           | 9277           | 9289           | -----          |
| 7               | ELECTRONIC CLOCK 120V/60CY                 | 2608           | 2608           | 2608           | -----          |
| 8               | HARNESS- GAS                               | 2952C          | 2952C          | 9252C          | -----          |
|                 | HARNESS- ELECTRIC                          | 2942B          | 2942B          | 2942B          | -----          |
| 9               | HARNESS STRAIN RELIEF                      | 4975           | 4975           | 4975           | -----          |
| 10              | ELECTRONIC CLOCK COVER                     | 9549           | 9549           | 9549           | -----          |
| 11              | HARNESS SLEEVING                           | 60172          | 60172          | 60172          | -----          |

### 4" PORCELAIN BACKGUARD

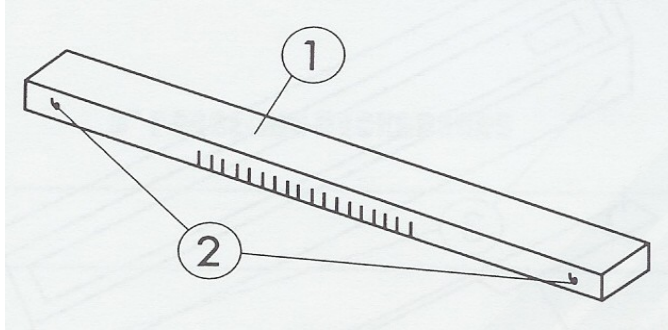


### 9" PORCELAIN BACKGUARD



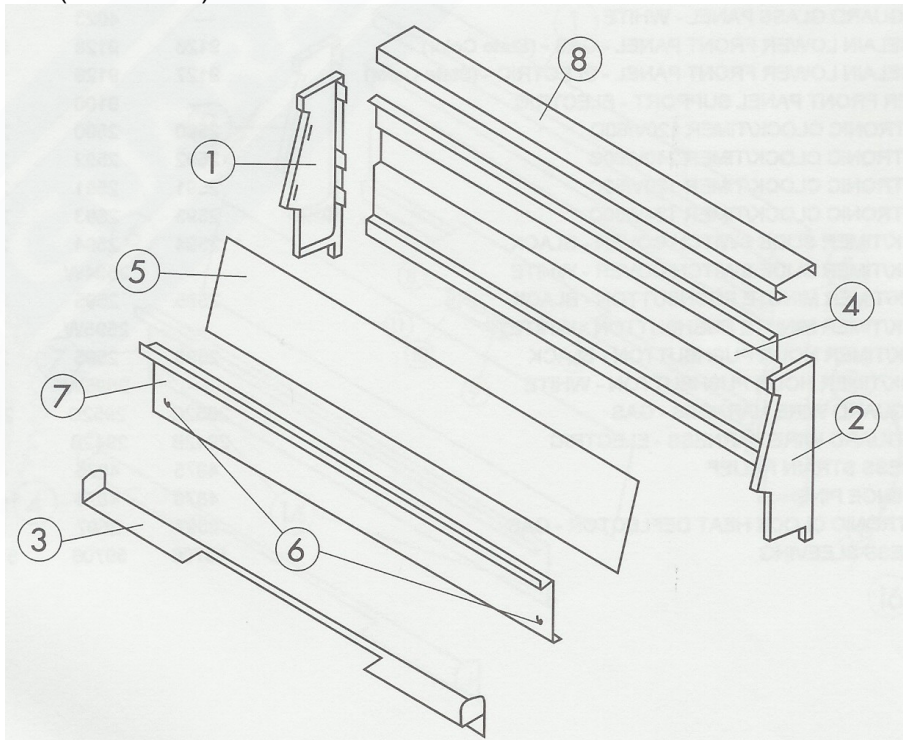
**PORCELAIN VENT RAIL**

| Ref. No. | DESCRIPTION          | 24 INCH | 30 INCH | 36 INCH |
|----------|----------------------|---------|---------|---------|
| 1        | VENT RAIL (GAS)      | 9064    | 9065    | 9066    |
|          | VENT RAIL (ELECTRIC) | 9067    | 9068    | -----   |
| 2        | TOP HINGE PINS       | 4876    | 4876    | 4876    |



**10" END CAP BACKGUARD WITHOUT TIMER-DECORATED GLASS**

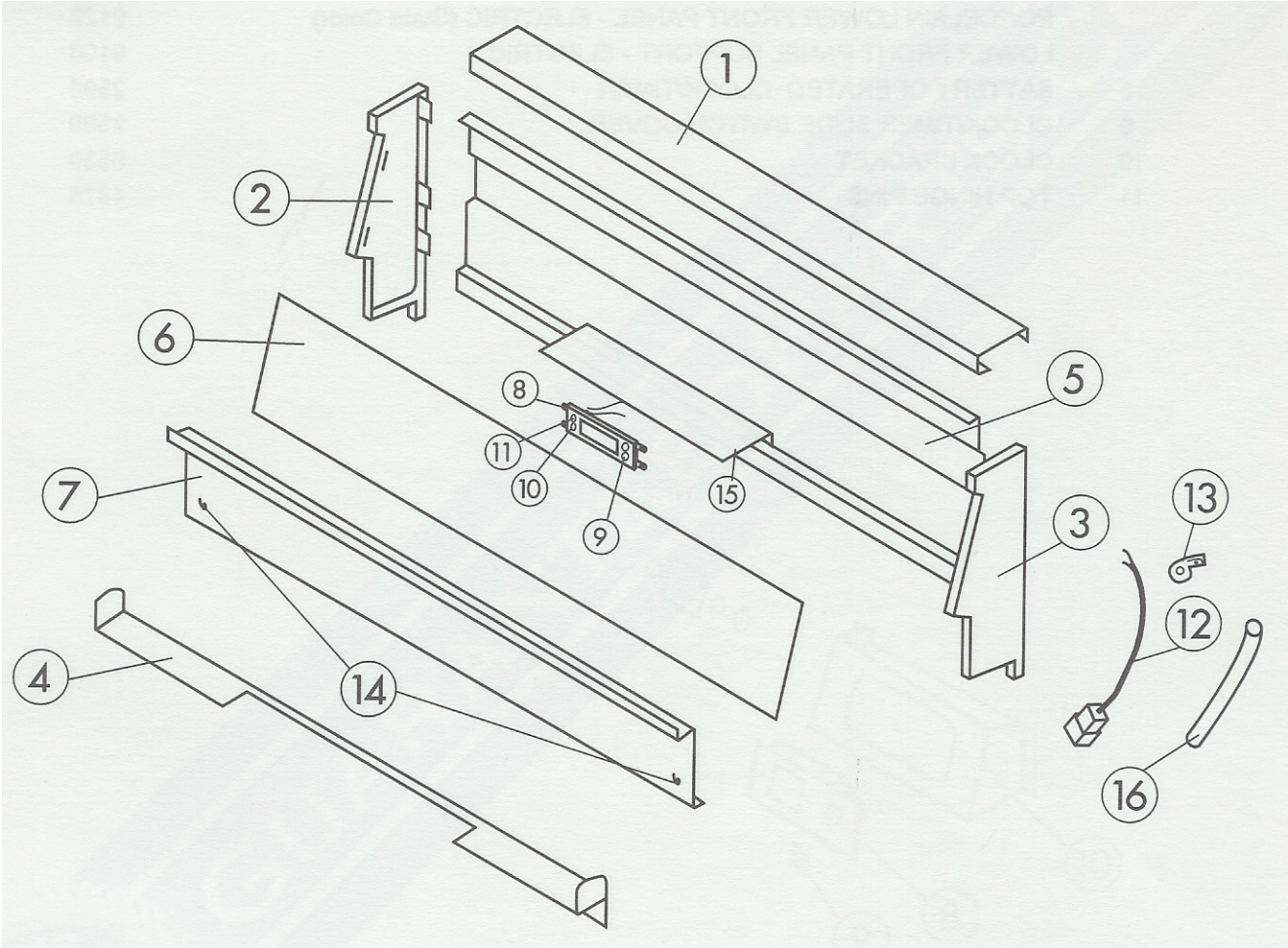
| Ref. No. | DESCRIPTION   | 30 INCH |
|----------|---|---------|
| 1        | LEFT END CAP-BLACK                                  | 9441B   |
| 2        | RIGHT END CAP- BLACK                                | 9442B   |
| 3        | BACKGUARD SUPPORT                                   | 9256    |
| 4        | BACKGUARD BACK                                      | 9547    |
| 5        | BACKGUARD GLASS PANEL                               | 4034    |
| 6        | TOP HINGE PINS                                      | 4876    |
| 7        | PORCELAIN LOWER FRONT PANEL- GAS (State Color)      | 9128    |
|          | PORCELAIN LOWER FRONT PANEL- ELECTRIC (State Color) | 9129    |
|          | LOWER FRONT PANEL SUPPORT- ELECTRIC                 | 9106    |
| 8        | PAINTED TOP RAIL- (State Color)                     | 9130    |



**10" END CAP BACKGUARD WITH ELECTRONIC TIMER-DECORATED GLASS**

| <b>Ref. No.</b> | <b>DESCRIPTION</b>                                 | <b>24 INCH</b> | <b>30 INCH</b> | <b>36 INCH</b> |
|-----------------|--|----------------|----------------|----------------|
| 1               | PAINTED TOP RAIL – BLACK                           | 9138B          | 9130B          | 9139B          |
|                 | PAINTED TOP RAIL – WHITE                           | -----          | 9130W          | -----          |
| 2               | LEFT END CAP – BLACK                               | 9441B          | 9441B          | 9441B          |
|                 | LEFT END CAP – WHITE                               | -----          | 9441W          | -----          |
| 3               | RIGHT END CAP – BLACK                              | 9442B          | 9442B          | 9442B          |
|                 | RIGHT END CAP- WHITE                               | -----          | 9442W          | -----          |
| 4               | BACKGUARD SUPPORT                                  | 9255           | 9256           | 9257           |
| 5               | BACKGUARD BACK                                     | 9546           | 9547           | 9548           |
| 6               | BACKGUARD GLASS PANEL – BLACK                      | 4026           | 4027           | 4028           |
|                 | BACKGUARD GLASS PANEL- WHITE                       | -----          | 4034W          | -----          |
| 7               | PORCELAIN LOWER FRONT PANEL – GAS- (State Color)   | 9126           | 9128           | 9140           |
|                 | PORCELAIN LOWER FRONT PANEL – ELEC.- (State Color) | 9127           | 9129           | -----          |
|                 | LOWER FRONT PANEL SUPPORT- ELECTRIC                | -----          | 9106           | -----          |
| 8               | ELECTRONIC CLOCK/TIMER      120V/60CY              | 2603           | 2603           | 2603           |
|                 | ELECTRONIC CLOCK/TIMER      240V/60CY              | 2605           | 2605           | 2605           |
|                 | ELECTRONIC CLOCK/TIMER      120V/50CY              | 2604           | 2604           | 2604           |
|                 | ELECTRONIC CLOCK/TIMER      240V/50CY              | 2606           | 2606           | 2606           |
| 10              | CLOCK/TIMER MINUTE PUSHBUTTON - BLACK              | 2595           | 2595           | 2595           |
|                 | CLOCK/TIMER MINUTE PUSHBUTTON – WHITE              | 2595W          | 2595W          | 2595W          |
| 12              | BACKGUARD WIRE HARNESS – GAS                       | 2955           | 2955           | 2955           |
|                 | BACKGUARD WIRE HARNESS – ELECTRIC                  | 2956           | 2956           | 2956           |
| 13              | HARNESS STRAIN RELIEF                              | 4975           | 4975           | 4975           |
| 14              | TOP HINGE PINS                                     | 4876           | 4876           | 4876           |
| 15              | ELECTRONIC CLOCK HEAT DEFLECTOR – GAS              | 2597           | 2597           | 2597           |
| 16              | HARNESS SLEEVING                                   | 59706          | 59706          | 59706          |

**10" END CAP BACKGUARD WITH ELECTRONIC TIMER-DECORATED GLASS**



## **GAS RANGE MODEL NUMBER DESIGNATION**

### **First Character- Type of operating system.**

|                                   |              |
|-----------------------------------|--------------|
| T- Spark Thermocouple System      | US only      |
| S- Hot Surface Ignition           | US or Canada |
| B- Battery Ignition system        | US only      |
| G- Standing Pilot Ignition System | Canada only  |

### **Second Character- Size of range**

|                                      |
|--------------------------------------|
| A- 20 in. (Open burner range)        |
| H- 20 in. (Sealed burner range)      |
| B- 24in. (Open burner range)         |
| F- 30in. (Open burner range)         |
| J - 24in. (Sealed burner system)     |
| L- 36in. (4 or 5 Open burners range) |
| M- 30in. (Sealed burner range)       |
| R- 36in. (6 Open burner range)       |

### **Third Character – Oven Finish**

|                          |
|--------------------------|
| K- Porcelain Oven        |
| L- Continuous Clean Oven |

### **Fourth Character- Oven Door, Storage Drawer, Oven Light**

- 0- Black solid oven door  
No light in oven  
Black manifold cover  
Black Broiler Door and Compartment Door
- 1- Color solid oven door  
No light in oven  
Black manifold cover  
Color Broiler Door and Compartment Door
- 2- Color bakeview oven door  
Light in oven  
Black manifold cover  
Color Broiler Door and Compartment Door
- 3- Black glass windowed oven door  
Light in oven  
Black manifold cover  
Color Broiler Door and Compartment Door
- 4- Black glass windowed oven door  
No Light in oven  
Black manifold cover  
Color Broiler Door and Compartment Door
- 5- Color bakeview oven door  
No light in oven  
Black manifold cover  
Color Broiler Door and Compartment Door

- 6- Stainless steel oven door  
Stainless steel broiler door  
Light in oven
- 7- Black glass solid oven door  
No light in oven  
Black manifold cover  
Black Broiler Door and Compartment Door
- 8- Black glass windowed oven door  
Light in oven  
Black manifold cover  
Black Broiler Door and Compartment Door
- 9- Black bakeview oven door  
Light in oven  
Black manifold cover  
Black Broiler Door and Compartment Door
- A Stainless Steel Windowed Oven Door  
Stainless Steel Broiler Door  
No Light in Oven
- B Stainless Steel Windowed Oven Door  
Stainless Steel Broiler Door  
Light in Oven
- C- Black solid oven door  
No light in oven  
Black manifold cover  
Color Broiler Door and Compartment Door
- L- Color solid oven door  
Light in oven  
Black manifold cover  
Color Broiler Door and Compartment Door

**Fifth Character- Backguard**

- 0- 4 in. porcelain backguard
- 1- 4 in. chrome/stainless backguard
- 2- 8 ½ in. porcelain backguard- clock
- 4- 10 in. glass backguard- digital clock/timer
- 9- 8 ½ in. porcelain backguard
- S- 10 in. glass backguard- no clock
- X- vent rail only

### **Sixth Character- Options**

- 0-No options-Two oven racks
- 1- One oven rack
- 4- One oven rack- porcelain burner box bottom
- 5- Fifth burner only-4 Chrome heat reflectors
- 7- Griddle and Fifth Burner- No Chrome heat reflectors
- 8- Griddle only- 4 Chrome heat reflectors
- 9- Griddle and Fifth Burner- 4 Chrome heat reflectors
- C- Griddle only- 4 Chrome Heat Reflectors-Porcelain Sides
- D- Griddle and Fifth Burner- 4 Chrome Heat Reflectors-Porcelain Sides
  
- G- Griddle only
  
- R- On-Off Top Burner Valves- Chrome Heat Reflectors
- S- Porcelain sides – No Broiler
- Y- Porcelain sides
- X-No Broiler, Painted Sides

### **Seventh Character- Color**

- B- Black
- O- White on White
- W- White
- T-Biscuit

### **Eight Character- “Brand Names”**

- 1- Mark Royal
- 7- Modern Chef
- E- Eagle
- H- Heritage by Orbon
- J- National
- K- Kelvinator
- O- Holiday
- P- Premier

**FINAL SUFFIXES:** All models may have a final combination (A-Z, or 1-9)- These suffixes represent internal manufacturing/production changes not affecting the certified designs.

- Q- 7086 Round Cast Iron Grates- May or may not be used in combination with the below:
  
- 4- LP 110V 60 cycles
- 5- LP 110v 50 cycles
- 7- LP 220V 50 cycles
  
- C- Canadian LP
  
- D- Canadian Natural



## **ELECTRIC RANGE MODEL NUMBER DESIGNATION**

### **1<sup>ST</sup> CHARACTER**

E- Electric Range

### **2<sup>nd</sup> CHARACTER- Range Size**

A- 20"

C- 24"

D- 30" (2) 8in. elements, (2) 6in. elements

F- 30" (1) 8in. element, (3) 6in. elements

### **3<sup>rd</sup> CHARACTER**

K- Porcelain Oven

### **4<sup>th</sup> CHARACTER- Oven Door ♦ Oven Light ♦ Storage Drawer Panel**

0- Black Solid Oven Door ♦ No Light in Oven ♦ Black Storage Drawer Panel

1- Color Solid Oven Door ♦ No Light in Oven ♦ Color Storage Drawer Panel

2- Color Bakeview Oven Door ♦ Light in Oven ♦ Color Storage Drawer Panel

3- Black Glass Windowed Oven Door ♦ Light in Oven ♦ Color Storage Drawer Panel

4- Black Glass Solid Oven Door ♦ No Light in Oven ♦ Color Storage Drawer Panel

5- Color Bakeview Oven Door ♦ No Light in Oven ♦ Color Storage Drawer Panel

6- Stainless Steel Oven Door ♦ Light in Oven ♦ Stainless Steel Storage Drawer Panel

7- Black Glass Solid Oven Door ♦ No Light in Oven ♦ Black Storage Drawer Panel

8- Black Glass Windowed Oven Door ♦ Light in Oven ♦ Black Storage Drawer Panel

9- Black Bakeview Oven Door ♦ Light in Oven ♦ Black Storage Drawer Panel

C- Black Solid Oven Door ♦ No Light in Oven ♦ Color Storage Drawer Panel

L- Color Solid Oven Door ♦ Light in Oven ♦ Color Storage Drawer Panel

### **5<sup>th</sup> Character- Backguard**

0- 4" Porcelain Backguard

2- PD9 Porcelain Backguard ♦ Time of Day Clock

4- 10" Glass Backguard ♦ Clock/Timer

9- P9 Porcelain Backguard

X- Vent Rail

## 6<sup>th</sup> Character- Options

- 0- No Options
- 1- One Oven Rack
- 2- No Storage Drawer ♦ One Oven Rack ♦ Two Piece Broiler Pan and Tray
- 6- No Storage Drawer ♦ Two Oven Racks ♦ Two Piece Broiler Pan and Tray
- A- Individual Surface Indicator Lights ♦ Oven Indicator Light ♦ No Storage Drawer  
One Oven Rack ♦ Two Piece Broiler Pan and Tray
- B- Individual Surface Indicator Lights ♦ Oven Indicator Light ♦ No Storage Drawer ♦  
Two Oven Racks ♦ Two Piece Broiler Pan and Tray
- H- Individual Surface Indicator Lights ♦ Oven Indicator Light ♦ Storage Drawer ♦ Two  
Piece Broiler Pan and Tray
- M- No Storage Drawer ♦ One Oven Rack ♦ No Broiler Pan and Tray

## 7<sup>th</sup> Character- Color

- O- White on White
- W- White
- B- Black
- T- Biscuit

## 8<sup>th</sup> Character- Tradename

- M- Harmony
- O- Holiday
- P- Premier

## 9<sup>th</sup> Character- Unique Options

- P- 3-Prong Pigtail
- Z- 4-Prong Pigtail